

PRODUCT DATA SHEET

■ MAC 10® LEDC 4x4 Fan Filter Introduction

Versatile & Cost Effective

The MAC 10® LEDC 4x4 is a versatile fan filter unit that is designed for the most challenging cleanroom applications. The MAC 10® LEDC 4x4 LEDC offers significant cost savings and electrical efficiencies for large cleanrooms and comes standard with the filter integral with the unit housing. Roomside replaceable filters and motor/blower are available.

Typical Applications

The MAC 10® LEDC 4x4 FFUs are primarily used in critical environments requiring clean air solutions. These include cleanrooms, pharmaceutical compounding, semiconductor and microelectronic manufacturing, and healthcare facilities.

The MAC 10® LEDC 4x4 maximizes energy efficiencies with an exclusive backward-inclined blower wheel design to help in all installations. With use of the MAC 10® LEDC 4x4 unit, additional savings can be captured due to lower grid requirements and fewer electrical connections. In addition to the cost effectiveness, this model continues to provide a lower comparative sound level than most 2x4 fan filter units.

Multiple Housing Styles

The MAC 10® LEDC 4x4 comes in two different style configurations to fit the needs of the clean space.

TPR- Standard Filter: filter replaced from above ceiling and Fan housing rests on top of filter

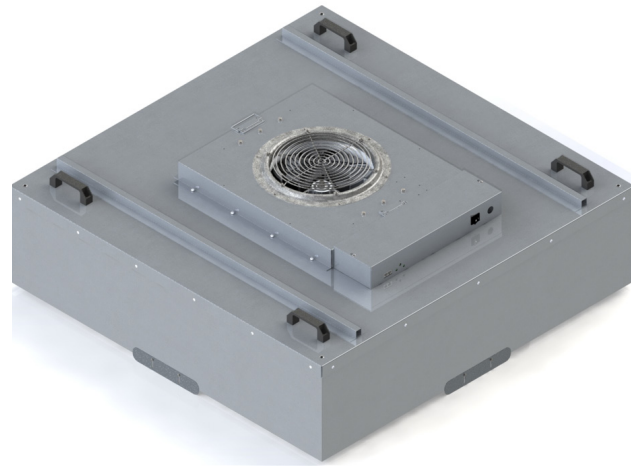
RSRE - Roomside Removable Motor and Filter: filter and motor replaced from below ceiling

■ Standard Features

- Universal Control Card
 - Network speed control, MODBUS RTU
 - Manual speed control, on-board potentiometer
 - Analog speed control, remote 0-10V
- Electronically Commutated (EC) brushless motor, torque programmed
- HEPA filter: 99.99% efficient @ 0.3 micron, 53mm pleat depth
- 1.0 in. wg (200 Pa) of external static capability
- Backward-inclined centrifugal fan
- Mill finished aluminum exterior
- Walkable plenum (excluding prefilter), rated to 250 lbs.
- Finger guard
- Roomside 3/8" challenge ports for convenient HEPA filter testing (excluding TPR)
- UL/cUL listed (115V, 208-240V, 277V) with standard UL 900 filter, file number E152685 (UL507)
- Manufactured to IEST recommended practices

■ Optional Features

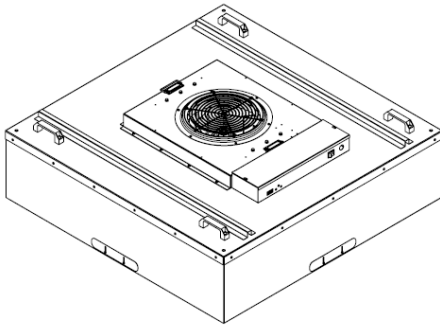
- Powder coat white paint or stainless steel housing (filter not included)
- CE certified on 230V units
- Filter Efficiencies: ULPA 99.9995% at MPPS
- Other filter options: PTFE 70mm, 100mm
- 3/4" knife edge: permits easy placement in gel track ceiling grid system (available on RSRE units only)
- Indicator light feedback: Unit running and/or filter change indicator (available on RSRE only)
- Continuous filter pressure monitoring through network
- 1" Insulation option, Top & Sides



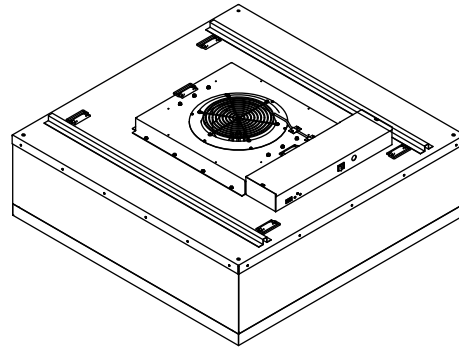
PRODUCT DATA SHEET

■ **MAC 10® LEDC Dimensions & Performance**

Topper Type



RSRE Type



(filter not shown)

Nominal Unit Size	Active Filter Face Area (Sq. Ft.)	Min. CFM	Max. CFM	Watts @ Max. CFM	dBa @ Max CFM	CFM @ 90 FPM	Watts @ 90 FPM	Sound dBA @ 90 FPM	Unit Weight	Dimensions AxBxC (mm)
4x4 LEDC TOPPER	14.4	740	1950	580	63	1300	220	46	135	47.63" x 47.63" x 15.79" (1210 x 1210 x 402)
4x4 LEDC RSRE	12.1	665	1900	610	62	1100	150	46	150	47.63" x 47.63" x 17.92" (1210 x 1210 x 456)

Notes:

Performance tested in accordance with the (ANSI/AMCA 210-07), (ANSI/ASHRAE 51-07) test standards for Certified Aerodynamic Performance Rating. Max CFM rating based on free air volumes @ high speed motor setting. 90 fpm values based on active filter face area. BTU = Watts x 3.413

MAC 10® LEDC Electrical Info:

MAC 10® LEDC 4x4 115V, 50/60HZ 1 Phase = 5.8 F.L.A., 208-240V 50/60HZ 1 Phase = 3.7 F.L.A., 277V 50/60 HZ 1 Phase = 3.2 F.L.A

ENVIRCO USA | 101 McNeill Road | Sanford, NC 27330
Tel: 919.775.2201 | Toll Free: 800.884.0002 | Fax: 800.458.2379 | www.envirco.com

© 2021 ENVIRCO®. ENVIRCO® is a registered trademark of Air System Components, Inc. Air System Components, Inc. is a subsidiary of Johnson Controls Inc. All product specifications reflect available information at the printing of this brochure. ENVIRCO® reserves the right to revise or modify products and/or specifications without notice.