

MOTOR:
THREE SPEED AC MOTOR WITH BACKWARD INCLINED WHEEL

- 120V 60 Hz, 1 PHASE, 2.26 FLA
- 208-240V, 60 Hz, 1 PHASE, 1.4 FLA
- 277V, 60 Hz, 1 PHASE, 1.17 FLA

FILTER:

- HEPA 99.99% @ 0.3 MICRON UL 900 (MSFH3)
- ULPA 99.9995% @ 0.12 MICRON UL 900 (MSFUS3)
- OTHER _____

CONTROL:

THREE SPEED SWITCH (3PS)

HOUSING FINISH:

- MILL FINISH ALUMINUM (M01)
- POWDER COAT PAINT - WHITE (M02)

SCREEN FINISH:

PAINTED WHITE GRILLE (003)

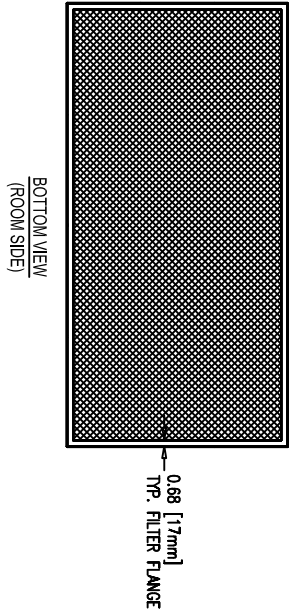
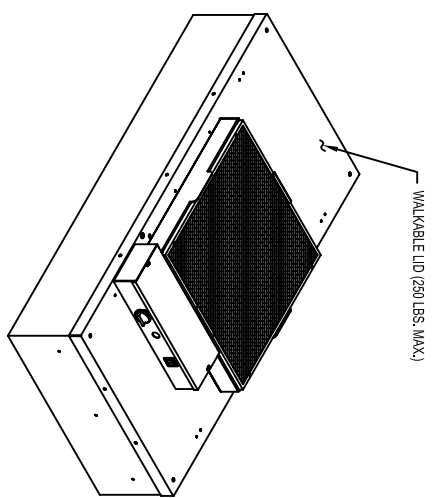
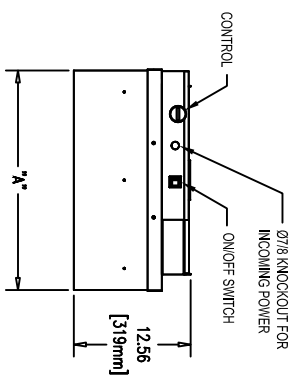
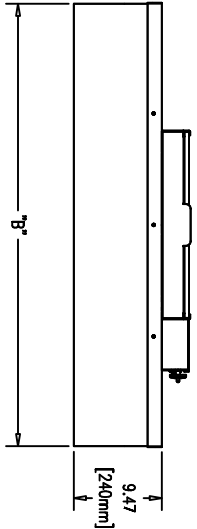
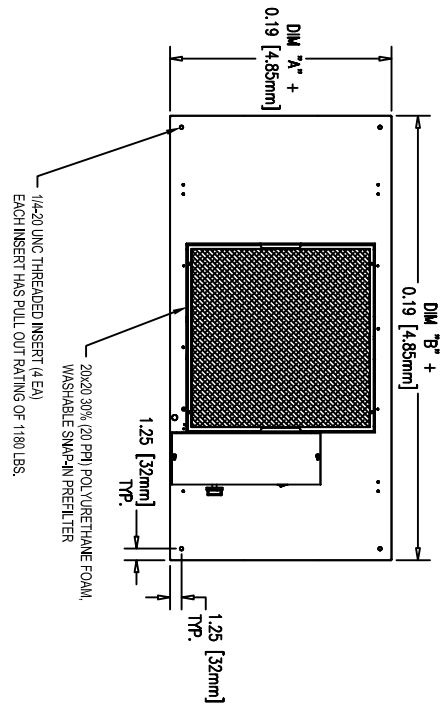
OPTIONS (SELECT MULTIPLE IF APPLICABLE):

- CONTINUOUS FILTER MONITORING (SP5)
- I0 - 10V OUTPUT SIGNAL
- INSULATION - APPLIED TO UNIT TOP AND SIDES (INS)

CERTIFICATION:

- UL 507 LISTED (E152685)
- CE CERTIFIED

NOTE: ITEMS IN BOLD DESIGNATE STANDARD OFFERING



FILTER SIZE (OD)		GRID SIZE	NOMINAL FILTER SIZE	APPROX. WEIGHT
DIM 'A'	DIM 'B'			
<input type="checkbox"/> 23.63 (600)	47.63 (1210)	1.5" (S04)	2X4	66 lbs
<input type="checkbox"/> 23.13 (588)	47.13 (1197)	2" (S08)		30 kgs
<input type="checkbox"/> 23.03 (585)	46.63 (1185)	-		
<input type="checkbox"/>	**OTHER			N/A

** CONTACT ENVIRCO TO ENSURE SIZE AVAILABILITY.

SIGNATURE _____

DATE _____

COMPANY _____

PROJECT _____

P.O. _____

101 McNeill Rd.
Santonic, NC 27330
PHONE: 919-775-2201
PHONE: 1-800-884-0002
FAX: 1-800-458-2379
www.enviroco.com
email: customerservice@enviroco.com

MAC10 LEAC
STANDARD (MIS)

UNLESS SPECIFIED, ALL DIMENSIONS ARE IN INCHES. TOLERANCE .XX±.03 .XXX±.015 ANGULAR ±1° UNLESS NOTED

THIS DRAWING IS THE PROPERTY OF ENVIRCO, AND MAY NOT BE REPRODUCED OR PUBLISHED WITHOUT AUTHORIZATION FROM ENVIRCO.

DRAWING NO: **8000004**

DATE: 7-17-12

REV: D

DESIGN PUNK: ECN-57462