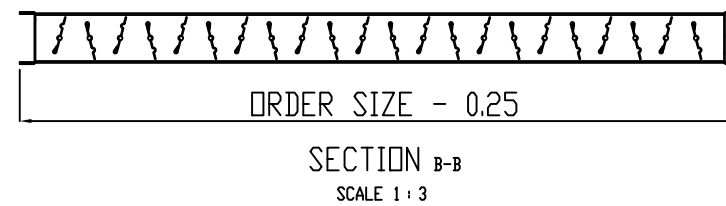
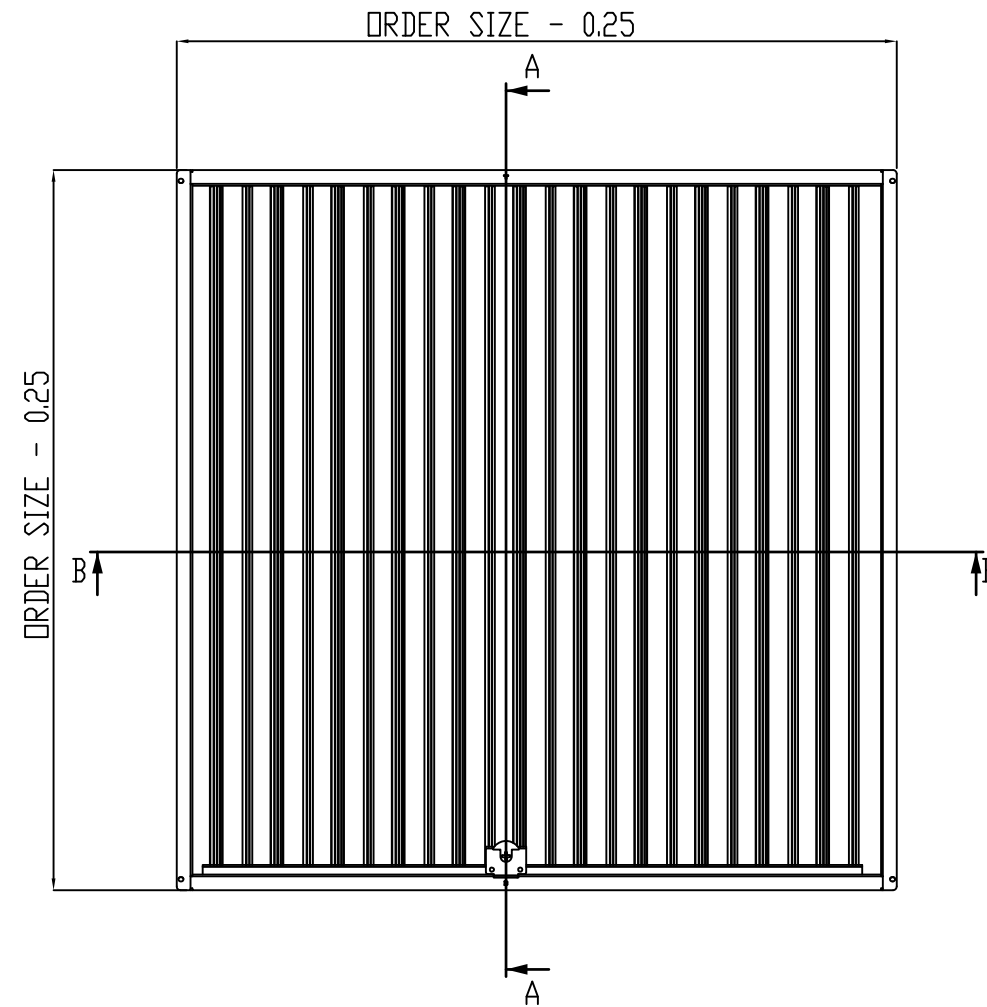


STANDARDS:

1. 304 STAINLESS STEEL
2. #2 MILL FINISH
3. FULLY ADJUSTABLE, POSITIVE AIR-FLOW DAMPER
4. SCREWDRIVER OPERATING MECHANISM

OPTIONS:

- 316 TYPE STAINLESS STEEL
- REMOTE ACCESS OPERATOR
- CUSTOM MOUNTING



WIDTH: _____ (EVEN SIZE FROM 4" - 48")

HEIGHT: _____ (EVEN SIZE FROM 4" - 72")

SIGNATURE	_____
DATE	_____
COMPANY	_____
PROJECT	_____
P.O.	_____



101 McNeill Rd,
Sanford, NC 27330
PHONE: 919-775-2201
PHONE: 1-800-884-0002
FAX: 1-800-458-2379
www.envirco.com
email: envirco@envirco.com

CLEANROOM VENTILATION ACCESSORIES
OBD
OPPOSED BLADE DAMPER

UNLESS SPECIFIED,
ALL DIMENSIONS
ARE IN INCHES.
TOLERANCE
.XX±.03 .XXX±.015
ANGULAR ±1°
UNLESS NOTED

THIS DRAWING IS THE PROPERTY
OF ENVIRCO, AND MAY NOT
BE REPRODUCED OR PUBLISHED
WITHOUT AUTHORIZATION FROM
ENVIRCO.
COPYRIGHT 2010 ENVIRCO

DRAWING NO: OBD	
DATE: 07/30/18	DRAWN BY: CJS
REV: ~	REV DATE:
	DESIGN PLAN: ECN-53969