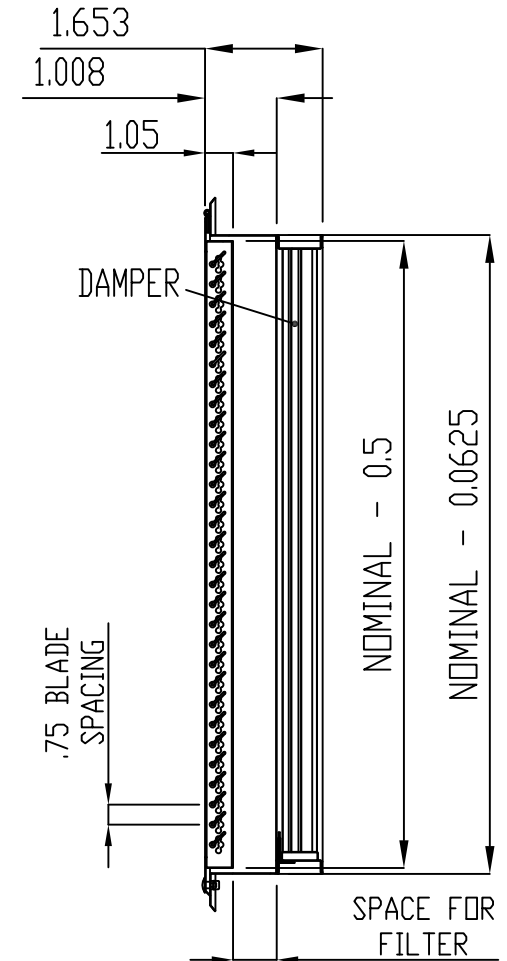
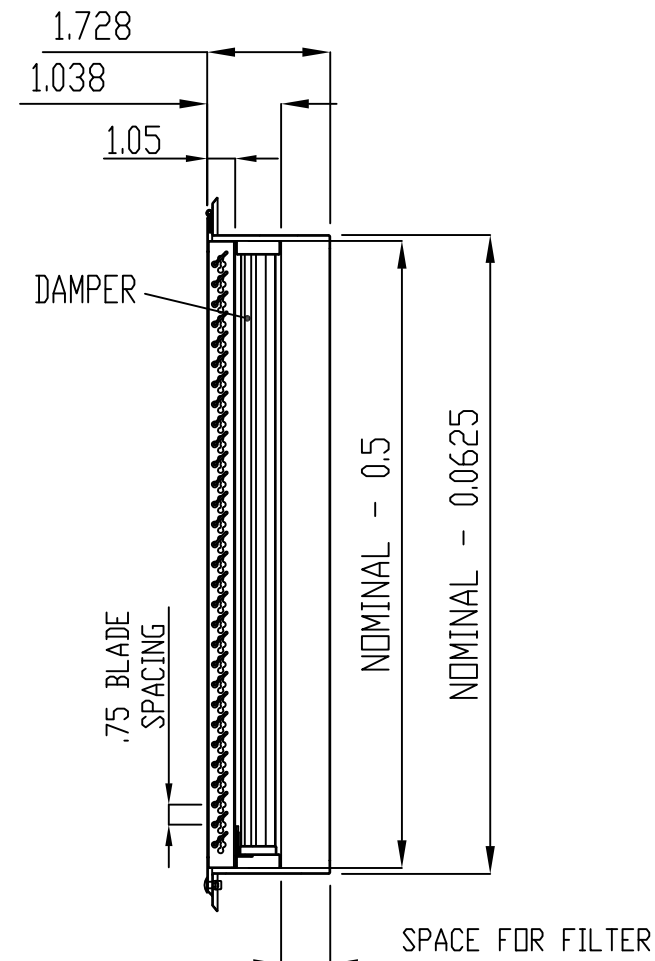
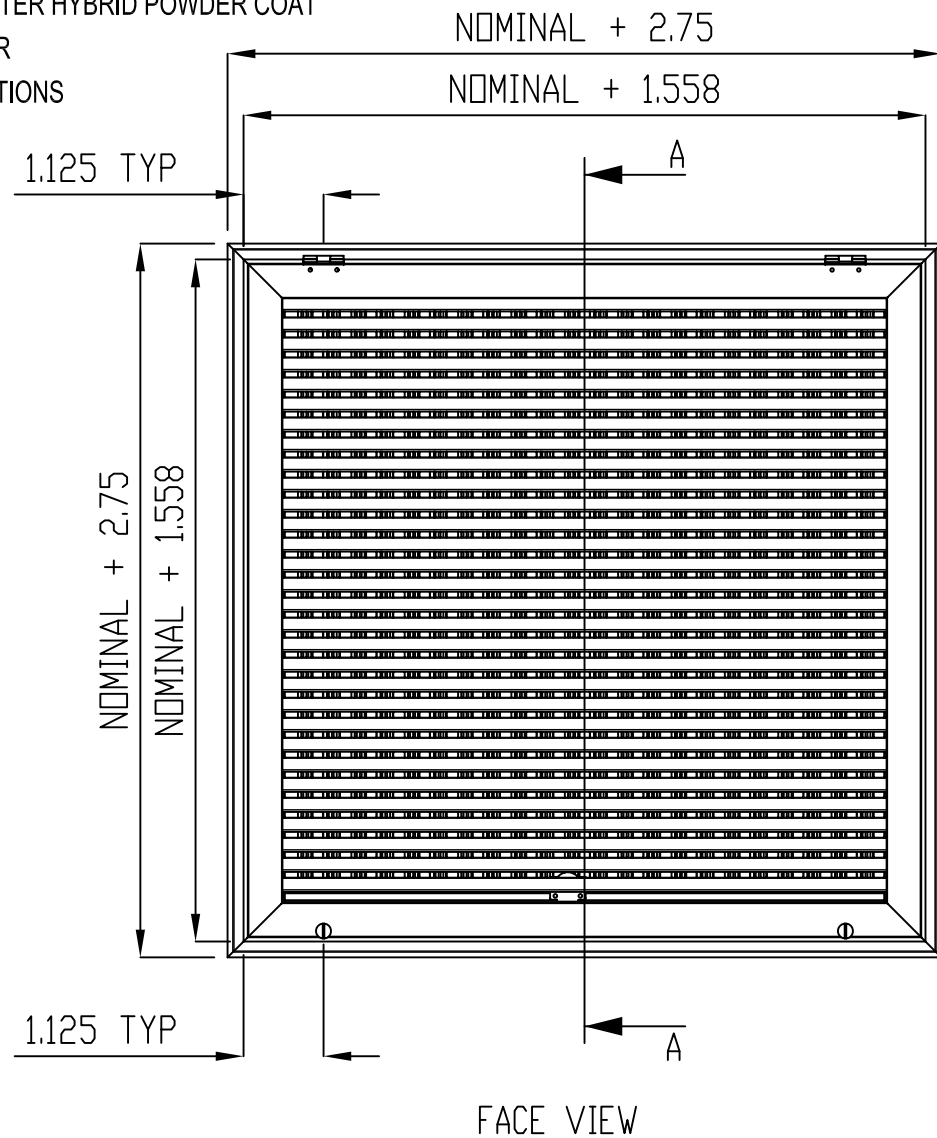


STANDARDS:

1. 304 STAINLESS STEEL
2. #4 SATIN FINISH
3. 1" FILTER RACK
4. QUARTER TURN FASTENERS
5. 45 DEGREE BLADE ANGLE
6. OPPOSED BLADE DAMPER

OPTIONS:

- 316 TYPE STAINLESS STEEL
- BAKED EPOXY-POLYESTER HYBRID POWDER COAT
- OTHER CUSTOM COLOR
- OTHER FASTENING OPTIONS



WIDTH: _____ (EVEN SIZE FROM 4" - 48")

HEIGHT: _____ (EVEN SIZE FROM 4" - 72")

SIGNATURE _____
 DATE _____
 COMPANY _____
 PROJECT _____
 P.O. _____



101 McNeill Rd,
 Sanford, NC 27330
 PHONE: 919-775-2201
 PHONE: 1-800-884-0002
 FAX: 1-800-458-2379
 www.envirco.com
 email: envirco@envirco.com

CLEANROOM VENTILATION ACCESSORIES
50HFRGD

1/2" HINGED FILTER RETURN GRILLE WITH DAMPER - HORIZONTAL BARS - 1" FILTER RACK

UNLESS SPECIFIED,
 ALL DIMENSIONS
 ARE IN INCHES.
 TOLERANCE
 .XX±.03 .XXX±.015
 ANGULAR ±1°
 UNLESS NOTED

THIS DRAWING IS THE PROPERTY
 OF ENVIRCO, AND MAY NOT
 BE REPRODUCED OR PUBLISHED
 WITHOUT AUTHORIZATION FROM
 ENVIRCO.

COPYRIGHT 2010 ENVIRCO

DRAWING NO: 50HFRGD

DATE: 07/30/18 DRAWN BY: CJS

REV: ~ REV DATE:

DESIGN PLAN: ECN-53969