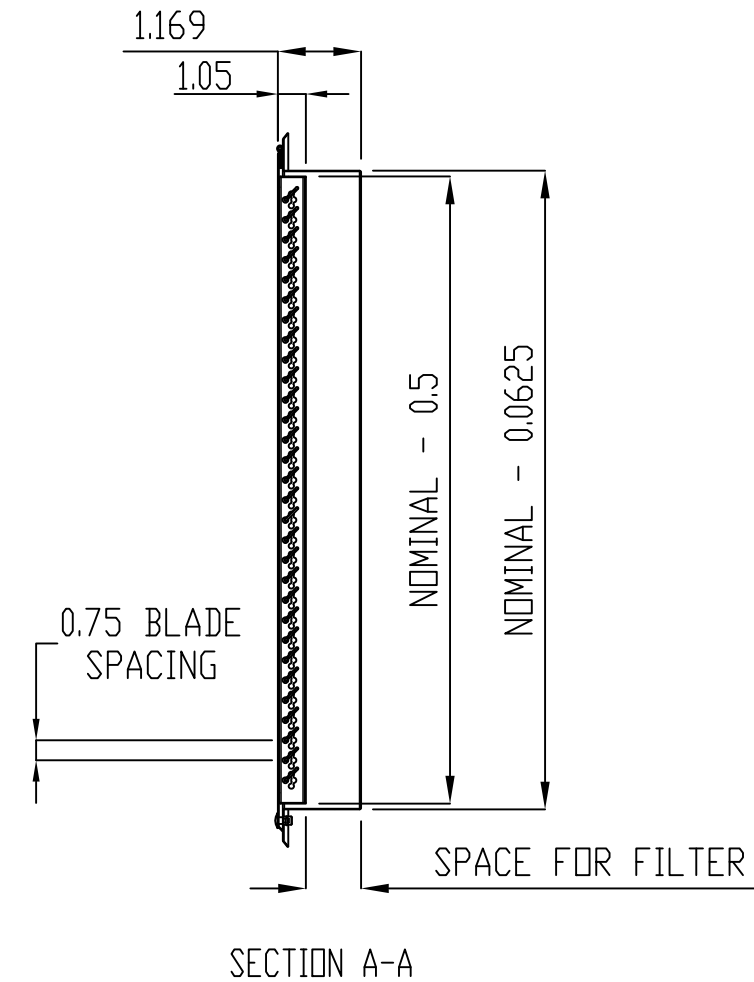
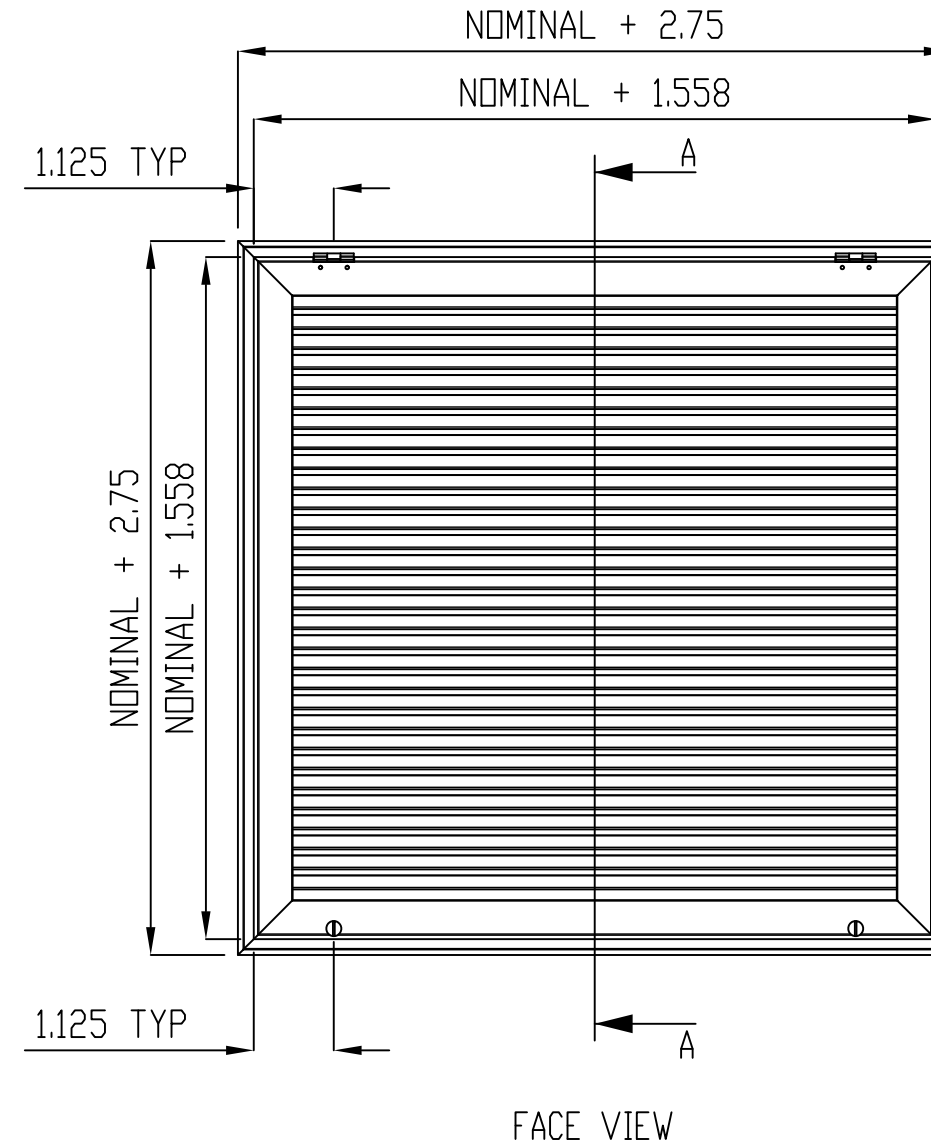


STANDARDS:

1. 304 STAINLESS STEEL
2. #4 SATIN FINISH
3. 1" FILTER RACK
4. QUARTER TURN FASTENERS
5. 45 DEGREE BLADE ANGLE

OPTIONS:

- 316 TYPE STAINLESS STEEL
- BAKED EPOXY-POLYESTER HYBRID POWDER COAT
- OTHER CUSTOM COLOR
- OTHER FASTENING OPTIONS



WIDTH: _____ (EVEN SIZE FROM 4" - 48")

HEIGHT: _____ (EVEN SIZE FROM 4" - 72")

SIGNATURE	_____
DATE	_____
COMPANY	_____
PROJECT	_____
P.O.	_____



101 McNeill Rd,
Sanford, NC 27330
PHONE: 919-775-2201
PHONE: 1-800-884-0002
FAX: 1-800-458-2379
www.envirco.com
email: envirco@envirco.com

CLEANROOM VENTILATION ACCESSORIES
50HFRG

1/2" HINGED FILTER RETURN GRILLE - HORIZONTAL BARS - 1" FILTER RACK

UNLESS SPECIFIED,
ALL DIMENSIONS
ARE IN INCHES.
TOLERANCE
.XX±.03 .XXX±.015
ANGULAR ±1°
UNLESS NOTED

THIS DRAWING IS THE PROPERTY
OF ENVIRCO, AND MAY NOT
BE REPRODUCED OR PUBLISHED
WITHOUT AUTHORIZATION FROM
ENVIRCO.
COPYRIGHT 2010 ENVIRCO

DRAWING NO: 50HFRG	
DATE: 07/30/18	DRAWN BY: CJS
REV: ~	REV DATE:
DESIGN PLAN: ECN-53969	