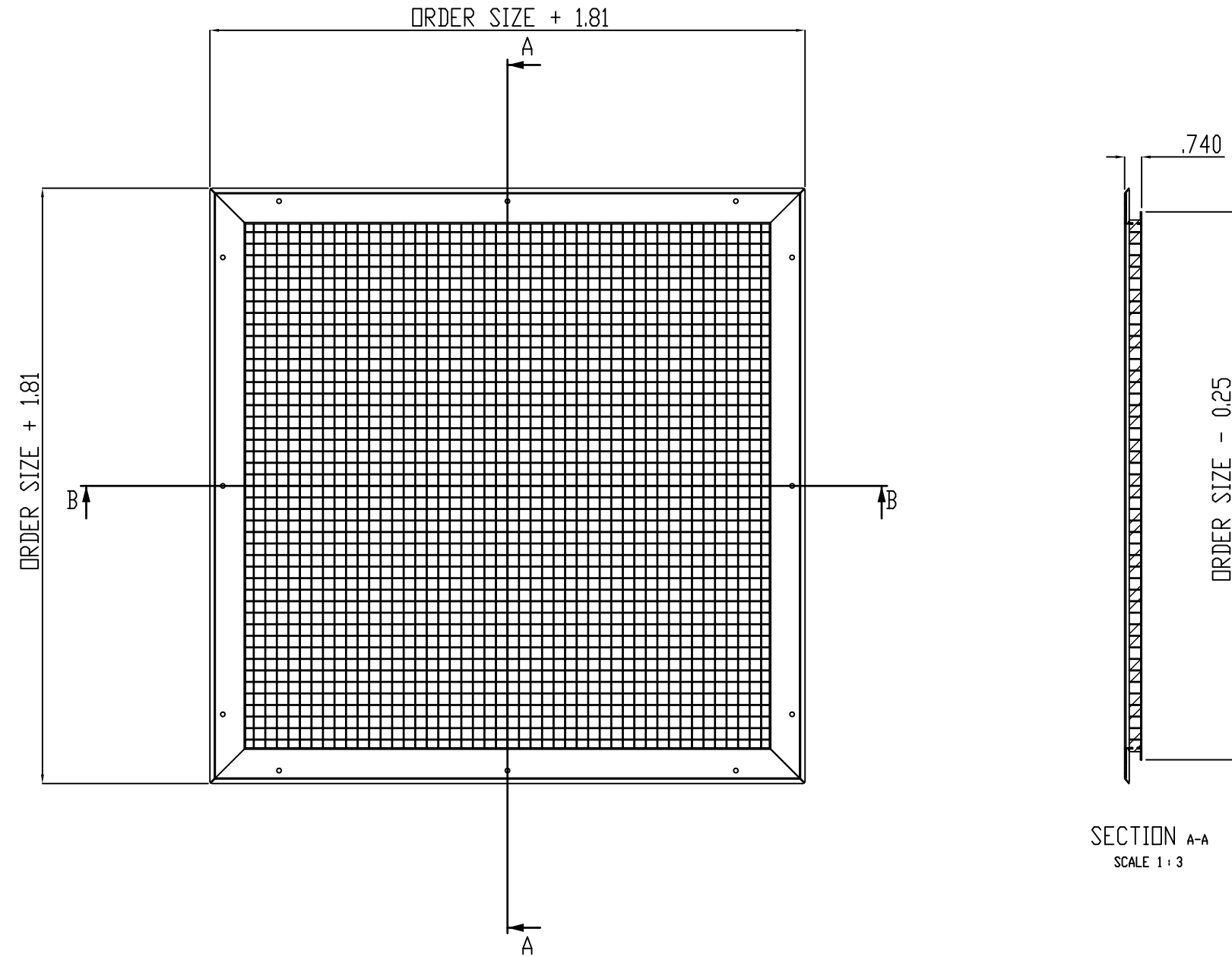


STANDARDS:

1. 304 STAINLESS STEEL
2. #4 SATIN FINISH
3. 0.5" x 0.5" x 0.5" CORE
4. COUNTERSUNK SCREWHOLES WITH STAINLESS STEEL #6 X 1.25" SCREWS

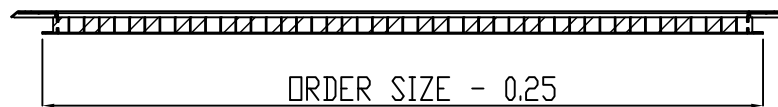
OPTIONS:

- 316 TYPE STAINLESS STEEL
- WHITE EPOXY POWDER COAT PAINT FINISH
- OTHER CUSTOM COLOR
- 1.0" x 1.0" x 1.0" CORE
- CHANNEL FRAME
- CORE ONLY
- LAY-IN PANEL
- OPPOSED BLADE DAMPER



WIDTH: _____ (EVEN SIZE FROM 4" - 48")

HEIGHT: _____ (EVEN SIZE FROM 4" - 72")



SECTION B-B
SCALE 1 : 3

SECTION A-A
SCALE 1 : 3

SIGNATURE	_____
DATE	_____
COMPANY	_____
PROJECT	_____
P.O.	_____



101 McNeill Rd,
Sanford, NC 27330
PHONE: 919-775-2201
PHONE: 1-800-884-0002
FAX: 1-800-458-2379
www.envirco.com
email: envirco@envirco.com

CLEANROOM VENTILATION ACCESSORIES

ECRG

EGG-CRATE RETURN GRILLE

UNLESS SPECIFIED,
ALL DIMENSIONS
ARE IN INCHES.
TOLERANCE
.XX±.03 .XXX±.015
ANGULAR ±1°
UNLESS NOTED

THIS DRAWING IS THE PROPERTY
OF ENVIRCO, AND MAY NOT
BE REPRODUCED OR PUBLISHED
WITHOUT AUTHORIZATION FROM
ENVIRCO.
COPYRIGHT 2010 ENVIRCO

DRAWING NO: ECRG	
DATE: 07/30/18	DRAWN BY: CJS
REV: ~	REV DATE:
DESIGN PLAN: ECN-53969	