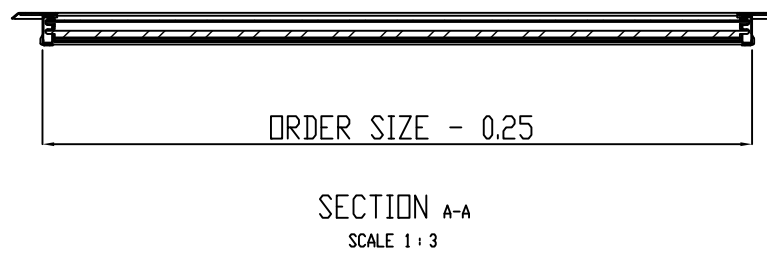
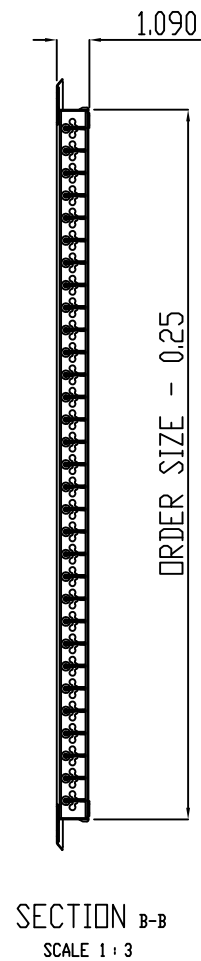
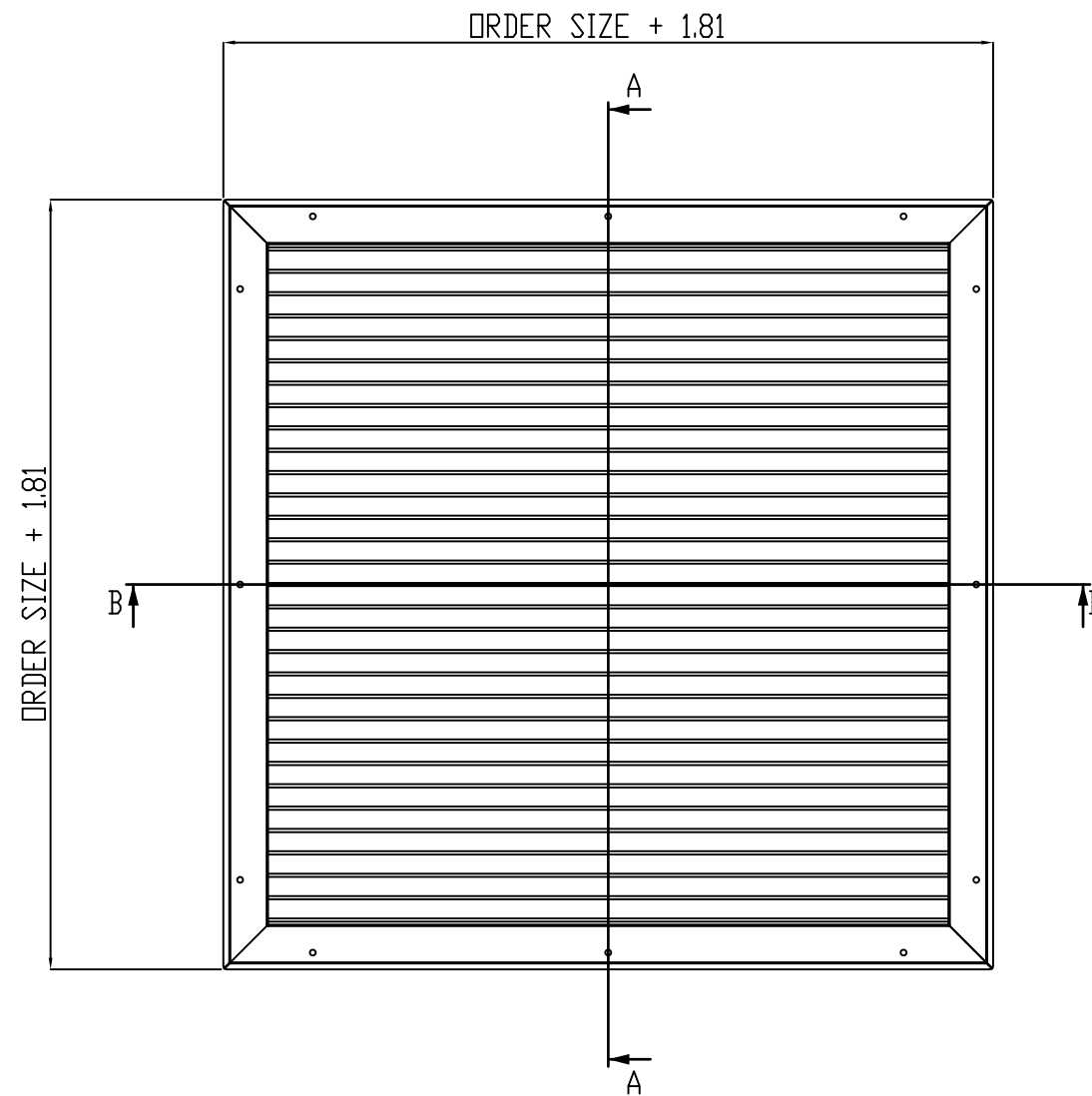


STANDARDS:

1. 304 STAINLESS STEEL
2. #4 SATIN FINISH
3. 0.75" BLADE SPACING
4. COUNTERSUNK SCREWHOLES WITH STAINLESS STEEL #6 X 1.25" SCREWS
5. ZERO DEGREE BLADE ANGLE

OPTIONS:

- 316 TYPE STAINLESS STEEL
- ANTI-MICROBIAL WHITE POWDER COAT PAINT FINISH
- OTHER CUSTOM COLOR
- 45 DEGREE BLADE ANGLE



WIDTH: _____ (EVEN SIZE FROM 4" - 48")

HEIGHT: _____ (EVEN SIZE FROM 4" - 72")

| | |
|-----------|-------|
| SIGNATURE | _____ |
| DATE | _____ |
| COMPANY | _____ |
| PROJECT | _____ |
| P.O. | _____ |



101 McNeill Rd,
Sanford, NC 27330
PHONE: 919-775-2201
PHONE: 1-800-884-0002
FAX: 1-800-458-2379
www.envirco.com
email: envirco@envirco.com

CLEANROOM VENTILATION ACCESSORIES
34RG-H
3/4" RETURN GRILLE - HORIZONTAL BARS

UNLESS SPECIFIED,
ALL DIMENSIONS
ARE IN INCHES.
TOLERANCE
.XX±.03 .XXX±.015
ANGULAR ±1°
UNLESS NOTED

THIS DRAWING IS THE PROPERTY
OF ENVIRCO, AND MAY NOT
BE REPRODUCED OR PUBLISHED
WITHOUT AUTHORIZATION FROM
ENVIRCO.
COPYRIGHT 2010 ENVIRCO

| | |
|------------------------|---------------|
| DRAWING NO: 34RG-H | |
| DATE: 07/30/18 | DRAWN BY: CJS |
| REV: ~ | REV DATE: |
| DESIGN PLAN: ECN-53969 | |