

MOTOR: BACKWARD CURVED MOTORIZED IMPELLER

- 115V, 60 Hz, 1 PHASE, 1.80 FLA
- 277V, 60 Hz, 1 PHASE, 0.80 FLA

GEL SEAL FILTER:

- HEPA 99.99% @ 0.3 MICRON UL 900 (STANDARD)
- ULPA 99.9995% @ 0.12 MICRON (U15) UL 900
- PTFE
- OTHER _____

CONTROL:

- SOLID STATE SPEED CONTROL (SC) (STANDARD)
- REMOTE MOUNTED SPEED CONTROL (SCSL)
- NETWORK / ANALOG CONTROL CARD (TPC)

HOUSING FINISH:

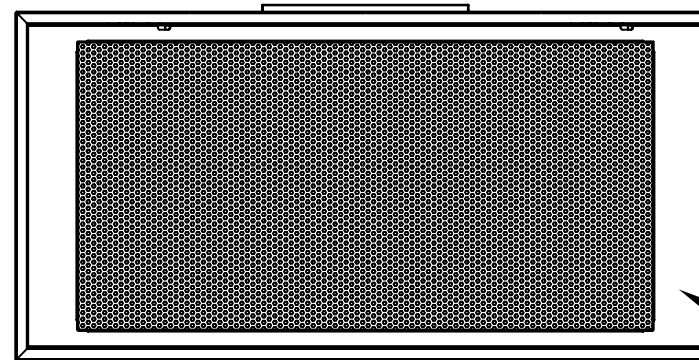
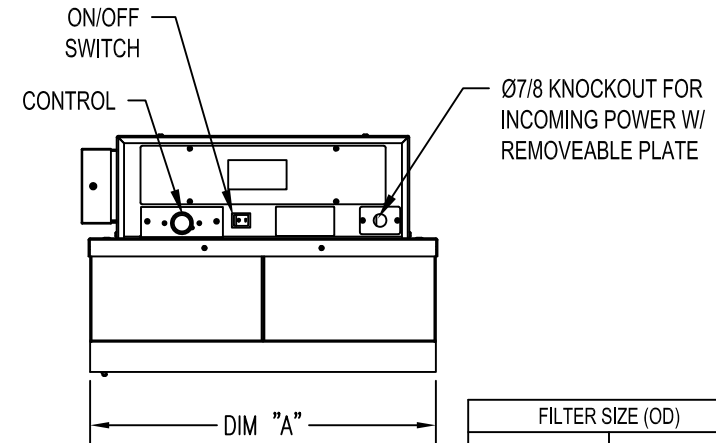
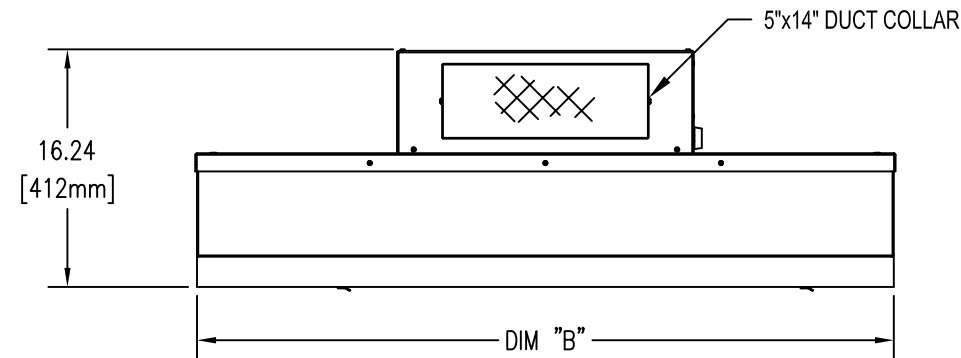
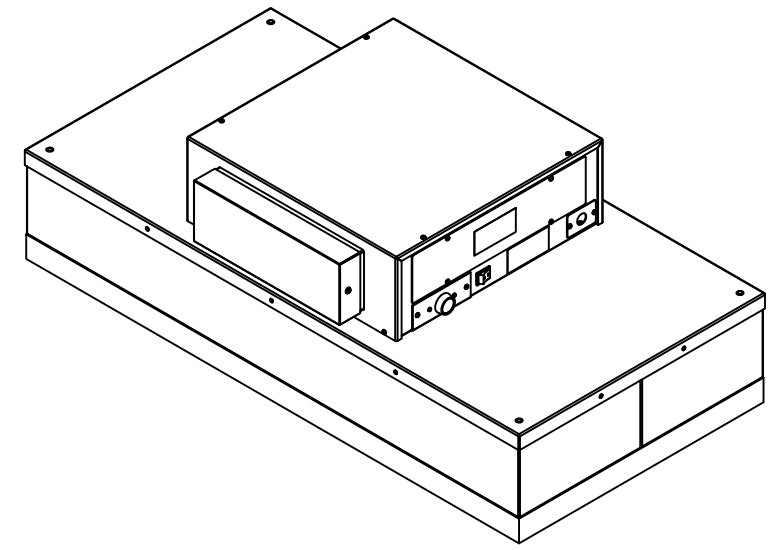
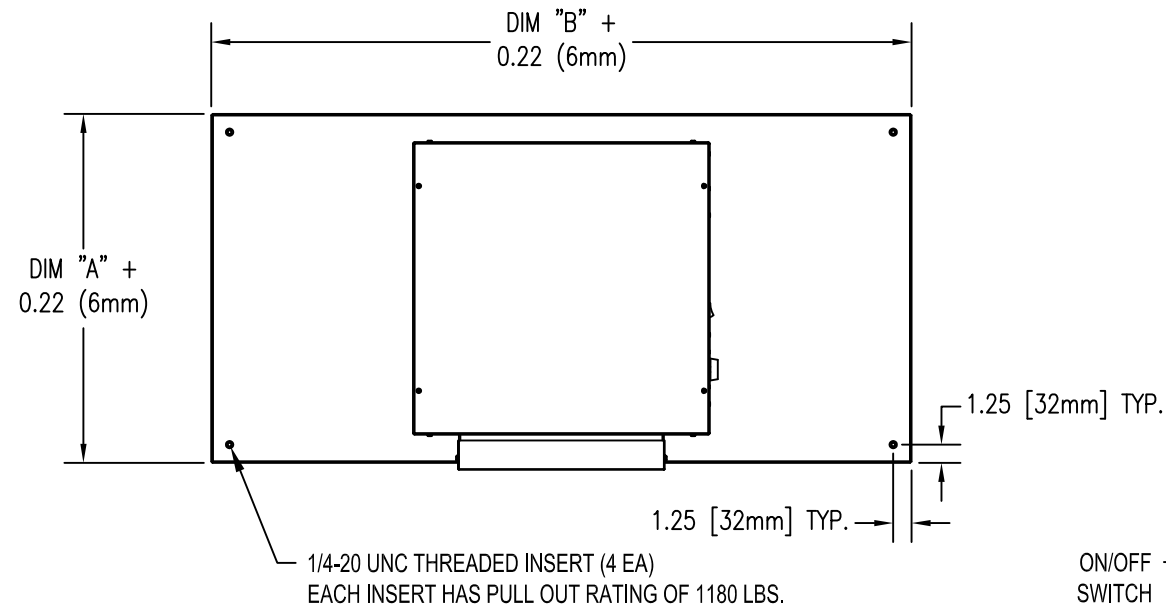
- MIL FINISH ALUMINUM (STANDARD)
- POWDER COAT PAINT (WHITE)
- 304 STAINLESS STEEL

DIFFUSER SCREEN FINISH:

- MIL FINISH ALUMINUM (STANDARD)
- POWDER COAT PAINT (WHITE)
- 304 STAINLESS STEEL

CERTIFICATION:

- UL 507 LISTED (E152685)



BOTTOM VIEW (ROOM SIDE)

DIFFUSER SCREEN WITH 1" PLEATED MERV-8 HIGH CAPACITY PRE-FILTER(S) UPSTREAM OF PRIMARY FILTER

FILTER SIZE (OD)		NOMINAL FILTER SIZE	APPROX. WEIGHT
DIM "A" in (mm)	DIM "B" in (mm)		
<input type="checkbox"/> 23.63 (600)	47.63 (1210)	2X4	(ALUM.) 70 lbs 32 Kgs
<input type="checkbox"/> 23.50 (597)	47.50 (1207)		
<input type="checkbox"/> 23.25 (591)	47.25 (1200)		
<input type="checkbox"/> 23.13 (588)	47.13 (1197)		
<input type="checkbox"/> 23.00 (584)	47.00 (1194)		
<input type="checkbox"/> 23.03 (585)	46.63 (1185)		
<input type="checkbox"/> 23.63 (600)	23.63 (600)	2X2	(ALUM.) 49 lbs 22 Kgs
<input type="checkbox"/> 23.50 (597)	23.50 (597)		
<input type="checkbox"/> 23.25 (591)	23.25 (591)		
<input type="checkbox"/> 23.13 (588)	23.13 (588)		
<input type="checkbox"/> 23.00 (584)	23.00 (584)		
<input type="checkbox"/> 23.03 (585)	23.03 (585)		
<input type="checkbox"/>		**OTHER	N/A

** CONTACT MFG. TO INSURE SIZE AVAILABILITY.

SIGNATURE _____
 DATE _____
 COMPANY _____
 PROJECT _____
 P.O. _____



101 McNeill Rd,
 Sanford, NC 27330
 PHONE: 919-775-2201
 PHONE: 1-800-884-0002
 FAX: 1-800-458-2379
 www.envirco.com
 email: envirco@envirco.com

MAC10 RFAC
RSR

UNLESS SPECIFIED,
 ALL DIMENSIONS
 ARE IN INCHES.
 TOLERANCE
 .XX±.03 .XXX±.015
 ANGULAR ±1°
 UNLESS NOTED

THIS DRAWING IS THE PROPERTY
 OF ENVIRCO, AND MAY NOT
 BE REPRODUCED OR PUBLISHED
 WITHOUT AUTHORIZATION FROM
 ENVIRCO.
 COPYRIGHT 2010 ENVIRCO

DRAWING NO: 8000020	
DATE: 6-9-17	DRAWN BY: AMO
REV: A	REV DATE: 11-21-17
DESIGN PLAN: ECN-52681C	