

MOTOR: BACKWARD CURVED MOTORIZED IMPELLER

- 115V, 60 Hz, 1 PHASE, 1.80 FLA
- 277V, 60 Hz, 1 PHASE, 0.80 FLA

FILTER:

- HEPA 99.99% @ 0.3 MICRON UL 900 (STANDARD)
- ULPA 99.9995% @ 0.12 MICRON (U15) UL 900
- PTFE
- OTHER _____

CONTROL:

- SOLID STATE SPEED CONTROL (SC) (STANDARD)
- REMOTE MOUNTED SPEED CONTROL (SCSL)
- NETWORK / ANALOG CONTROL CARD (TPC)

HOUSING FINISH:

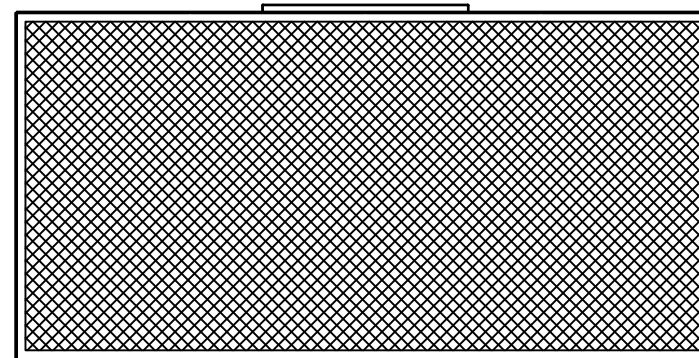
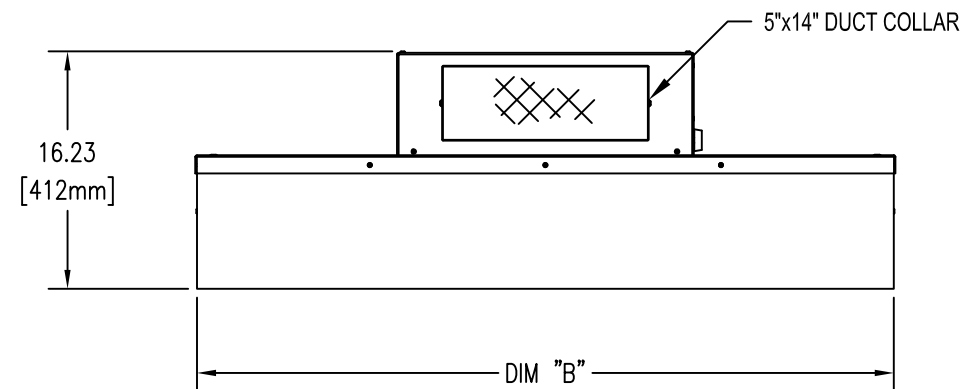
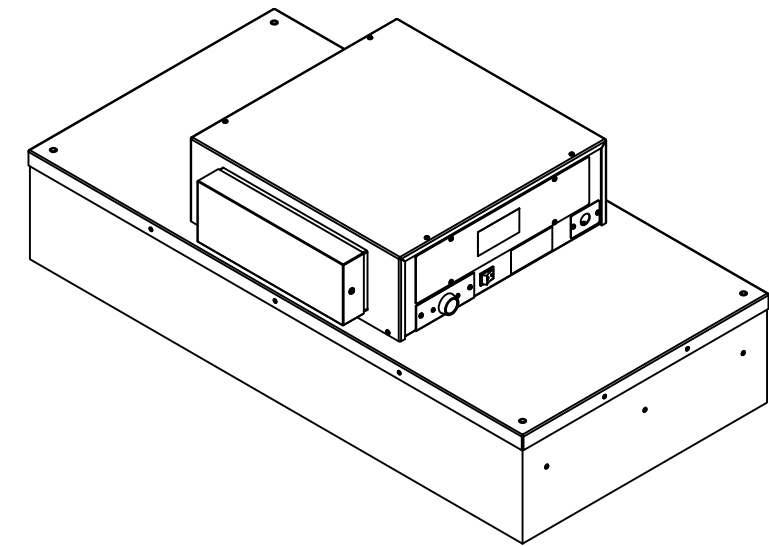
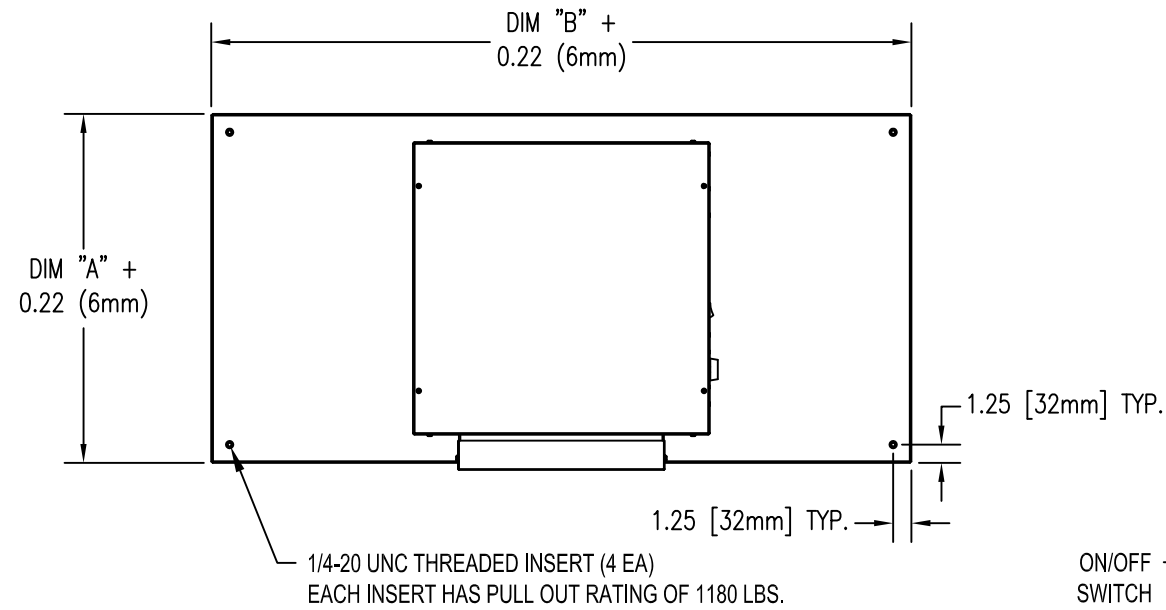
- MIL FINISH ALUMINUM (STANDARD)
- POWDER COAT PAINT (WHITE)
- 304 STAINLESS STEEL

OPTIONS:

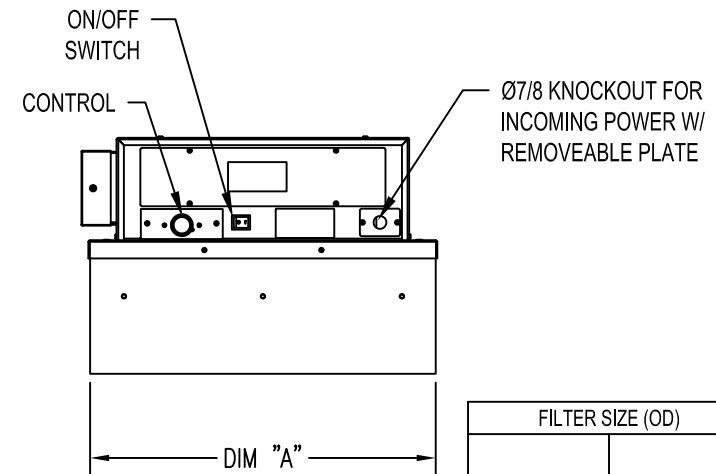
- 3/4" KNIFE EDGE FOR CEILING GRID WITH GEL SEAL (ADD 3/4" TO OVERALL HEIGHT)

CERTIFICATION:

- UL 507 LISTED (E152685)



BOTTOM VIEW
(ROOM SIDE)



FILTER SIZE (OD)		NOMINAL FILTER SIZE	APPROX. WEIGHT
DIM "A" in (mm)	DIM "B" in (mm)		
<input type="checkbox"/> 23.63 (600)	47.63 (1210)	2X4	(ALUM.) 62 lbs 28 Kgs
<input type="checkbox"/> 23.50 (597)	47.50 (1207)		
<input type="checkbox"/> 23.25 (591)	47.25 (1200)		
<input type="checkbox"/> 23.13 (588)	47.13 (1197)		
<input type="checkbox"/> 23.00 (584)	47.00 (1194)		
<input type="checkbox"/> 23.03 (585)	46.63 (1185)		
<input type="checkbox"/> 23.63 (600)	23.63 (600)	2X2	(ALUM.) 44 lbs 20 Kgs
<input type="checkbox"/> 23.50 (597)	23.50 (597)		
<input type="checkbox"/> 23.25 (591)	23.25 (591)		
<input type="checkbox"/> 23.13 (588)	23.13 (588)		
<input type="checkbox"/> 23.00 (584)	23.00 (584)		
<input type="checkbox"/> 23.03 (585)	23.03 (585)		
<input type="checkbox"/>		**OTHER	N/A

** CONTACT MFG. TO INSURE SIZE AVAILABILITY.

SIGNATURE _____

DATE _____

COMPANY _____

PROJECT _____

P.O. _____



101 McNeill Rd,
Sanford, NC 27330
PHONE: 919-775-2201
PHONE: 1-800-884-0002
FAX: 1-800-458-2379
www.envirco.com
email: envirc@envirco.com

**MAC10 RFAC
STANDARD**

UNLESS SPECIFIED,
ALL DIMENSIONS
ARE IN INCHES.
TOLERANCE
.XX±.03 .XXX±.015
ANGULAR ±1°
UNLESS NOTED

THIS DRAWING IS THE PROPERTY
OF ENVIRCO, AND MAY NOT
BE REPRODUCED OR PUBLISHED
WITHOUT AUTHORIZATION FROM
ENVIRCO.
COPYRIGHT 2010 ENVIRCO

DRAWING NO: 8000019	
DATE: 6-9-17	DRAWN BY: AMO
REV: A	REV DATE:
DESIGN PLAN: ECN-52681C	