

**HOUSING STYLE:**

- RSRE - FILTER, BAFFLE, AND MOTOR ROOMSIDE REMOVABLE

**MOTOR:** THREE SPEED BACKWARD INCLINED MOTOR/BLOWER

- 115V, 60 Hz, 1 PHASE, 1.80 FLA
- 277V, 60 Hz, 1 PHASE, 0.80 FLA

**FILTER:**

- HEPA 99.99% @ 0.3 MICRON UL 900 (STANDARD)
- ULPA 99.9995% @ 0.12 MICRON (U15) UL 900
- PTFE
- OTHER \_\_\_\_\_

**CONTROL:**

- SOLID STATE SPEED CONTROL (SC) (STANDARD)
- REMOTE MOUNTED SPEED CONTROL (SCSL)
- NETWORK CONTROL CARD (ENAC)

**HOUSING FINISH:**

- MIL FINISH ALUMINUM (STANDARD)
- POWER COAT PAINT (WHITE)
- 304 STAINLESS STEEL (ADD 3/8" TO OVERALL HEIGHT)

**SCREEN FINISH:**

- ANODIZED ALUMINUM (STANDARD)
- POWER COAT PAINT (WHITE)
- 304 STAINLESS STEEL

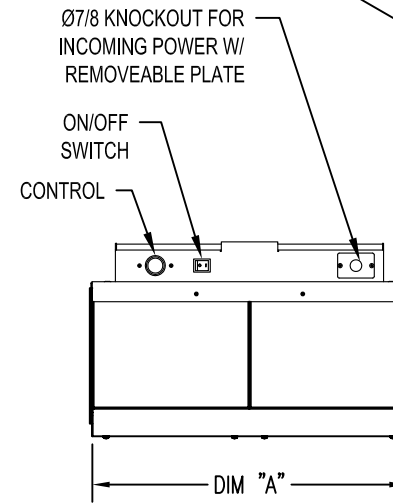
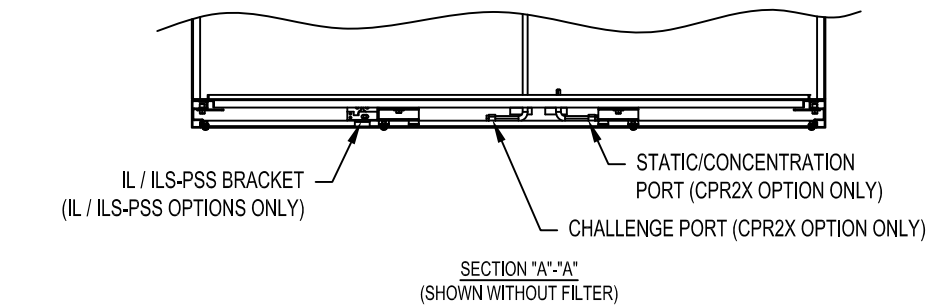
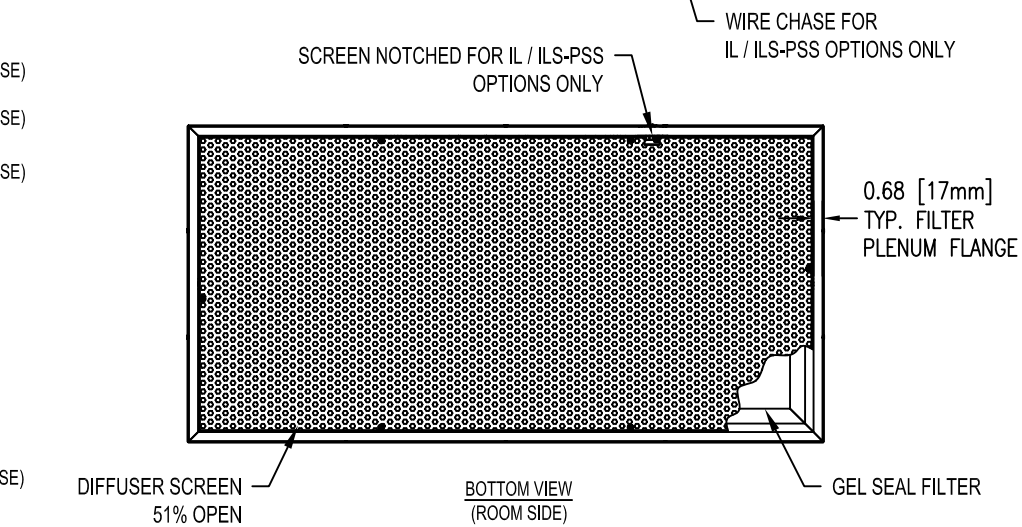
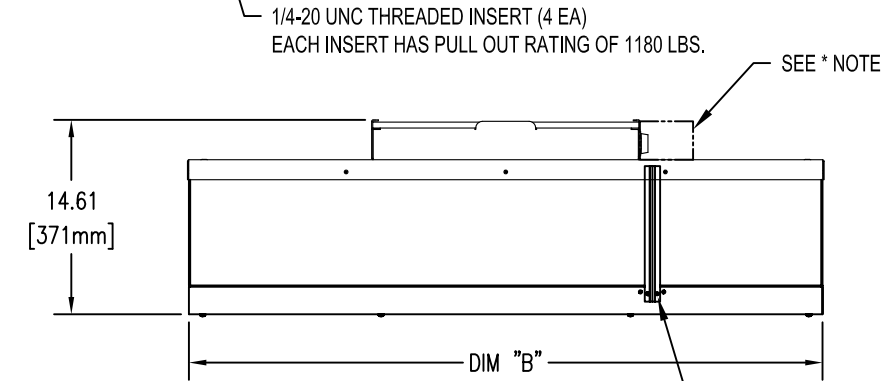
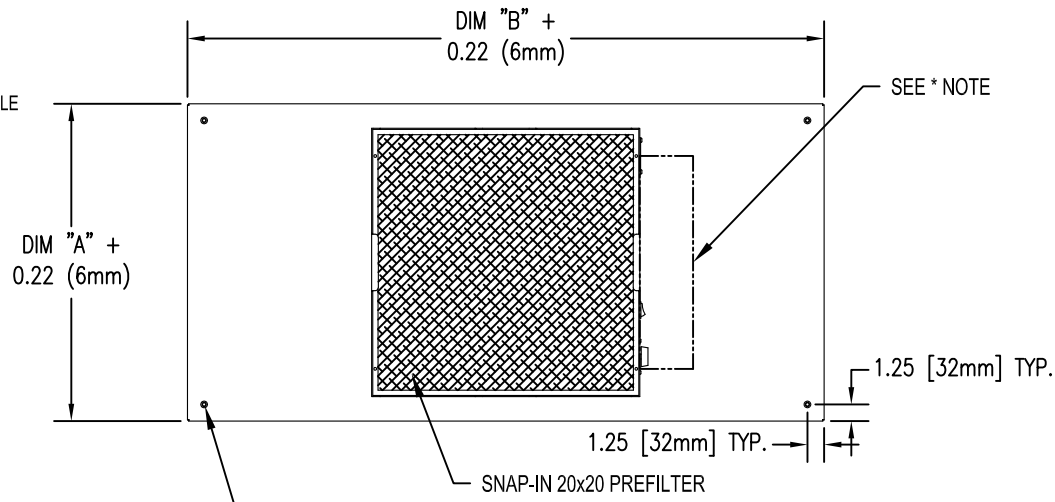
**OPTIONS:**

- 10" (254 mm) ALUM. DUCT COLLAR (11231-001 SHIPPED LOOSE)
- 12" (305 mm) ALUM. DUCT COLLAR (11231-002 SHIPPED LOOSE)
- 14" (355 mm) ALUM. DUCT COLLAR (11231-003 SHIPPED LOOSE)
- POWER CORD - 115V ONLY (SHIPPED LOOSE)  
(NOT ACCEPTABLE FOR PLENUM APPLICATIONS)
- IL - "GREEN" INDICATOR LIGHT  
(ON = MOTOR RUNNING; OFF = MOTOR FAILURE)
- ILS-PSS - "RED" FILTER LOAD INDICATOR LIGHT  
(ON = TIME TO CHANGE FILTER)
- CPR2X - (1) 1/8" FNPT ROOMSIDE CHALLENGE PORT AND  
(1) 1/8" FNPT STATIC/CONCENTRATION PORT
- 20 x 20 x 2" (50.8 mm) PLEATED PRE-FILTER G-4 (SHIPS LOOSE)
- 0-10V OUTPUT SIGNAL WITH PRESSURE TRANSMITTER  
FOR CONTINUOUS FILTER MONITORING.
- 3/4" KNIFE EDGE FOR CEILING GRID WITH GEL SEAL  
(ADD 3/4" TO OVERALL HEIGHT)

**CERTIFICATION:**

- UL 507 LISTED (E152685)

\* NOTE: THE ADDITION OF AN EXTERNAL ELECTRICAL BOX MAY BE REQUIRED FOR SOME OR MULTIPLE OPTIONS



FILTER SIZE (OD)		NOMINAL FILTER SIZE	APPROX. WEIGHT
DIM "A" in (mm)	DIM "B" in (mm)		
<input type="checkbox"/> 23.63 (600)	47.63 (1210)	2X4	(ALUM.)
<input type="checkbox"/> 23.50 (597)	47.50 (1207)		61 lbs
<input type="checkbox"/> 23.25 (591)	47.25 (1200)		28 Kgs
<input type="checkbox"/> 23.13 (588)	47.13 (1197)		(SST)
<input type="checkbox"/> 23.00 (584)	47.00 (1194)		69 lbs
<input type="checkbox"/> 23.03 (585)	46.63 (1185)		31 Kgs
<input type="checkbox"/> 23.63 (600)	41.63 (1057)	2X3.5	(ALUM.)
<input type="checkbox"/> 23.50 (597)	41.50 (1054)		57 lbs
<input type="checkbox"/> 23.25 (591)	41.25 (1048)		26 Kgs
<input type="checkbox"/> 23.13 (588)	41.13 (1045)		(SST)
<input type="checkbox"/> 23.00 (584)	41.00 (1041)		64 lbs
<input type="checkbox"/> 23.03 (585)	40.75 (1035)		29 Kgs
<input type="checkbox"/> 23.63 (600)	35.63 (905)	2X3	(ALUM.)
<input type="checkbox"/> 23.50 (597)	35.50 (902)		53 lbs
<input type="checkbox"/> 23.25 (591)	35.25 (895)		24 Kgs
<input type="checkbox"/> 23.13 (588)	35.13 (892)		(SST)
<input type="checkbox"/> 23.00 (584)	35.00 (889)		60 lbs
<input type="checkbox"/> 23.03 (585)	34.84 (885)		27 Kgs
<input type="checkbox"/> 23.63 (600)	23.63 (600)	2X2	(ALUM.)
<input type="checkbox"/> 23.50 (597)	23.50 (597)		42 lbs
<input type="checkbox"/> 23.25 (591)	23.25 (591)		19 Kgs
<input type="checkbox"/> 23.13 (588)	23.13 (588)		(SST)
<input type="checkbox"/> 23.00 (584)	23.00 (584)		48 lbs
<input type="checkbox"/> 23.03 (585)	23.03 (585)		22 Kgs
<input type="checkbox"/>		**OTHER	N/A

\*\* CONTACT MFG. TO INSURE SIZE AVAILABILITY.

SIGNATURE \_\_\_\_\_  
 DATE \_\_\_\_\_  
 COMPANY \_\_\_\_\_  
 PROJECT \_\_\_\_\_  
 P.O. \_\_\_\_\_



101 McNeill Rd,  
 Sanford, NC 27330  
 PHONE: 919-775-2201  
 PHONE: 1-800-884-0002  
 FAX: 1-800-458-2379  
 www.envirco.com  
 email: envirco@envirco.com

**MAC10 LEAC2  
 RSRE**

UNLESS SPECIFIED,  
 ALL DIMENSIONS  
 ARE IN INCHES.  
 TOLERANCE  
 .XX±.03 .XXX±.015  
 ANGULAR ±1°  
 UNLESS NOTED

THIS DRAWING IS THE PROPERTY  
 OF ENVIRCO, AND MAY NOT  
 BE REPRODUCED OR PUBLISHED  
 WITHOUT AUTHORIZATION FROM  
 ENVIRCO.  
 COPYRIGHT 2010 ENVIRCO

DRAWING NO: 8000016	
DATE: 12-18-14	DRAWN BY: AMO
REV: A	REV DATE: 11-21-17
DESIGN PLAN ECN-52088A	