

**HOUSING STYLE:**

- RSR - FILTER ONLY ROOMSIDE REMOVABLE
- RSRF - FILTER, BAFFLE, AND MOTOR ROOMSIDE REMOVABLE

**MOTOR, ECM MOTOR / FORWARD CURVE BLOWER**

- 115V, 60 Hz, 1 PHASE, 2.3 FLA
- 208-240V / 50/60 Hz, 1 PHASE, 1.5 FLA
- 277V, 60 Hz, 1 PHASE, 1.3 FLA

**FILTER:**

- HEPA 99.99% @ 0.3 MICRON UL 900 (STANDARD)
- OTHER \_\_\_\_\_

**CONTROL:**

- UNIVERSAL CONTROL CARD - DIP SWITCH SELECTABLE (CON4)
- MANUAL SPEED CONTROL (STD. FACTORY PRE-SET)
- 0-10 VOLT INPUT
- MODBUS RTU NETWORK
- ROOM SIDE INFARRED SPEED CONTROL (R)
- REMOTE MOUNTED VISUAL CONTROL UNIT (CSL)

**HOUSING FINISH:**

- MIL FINISH ALUMINUM (STANDARD)
- POWER COAT PAINT (WHITE)
- 304 STAINLESS STEEL (ADD 3/8" TO OVERALL HEIGHT)

**SCREEN FINISH:**

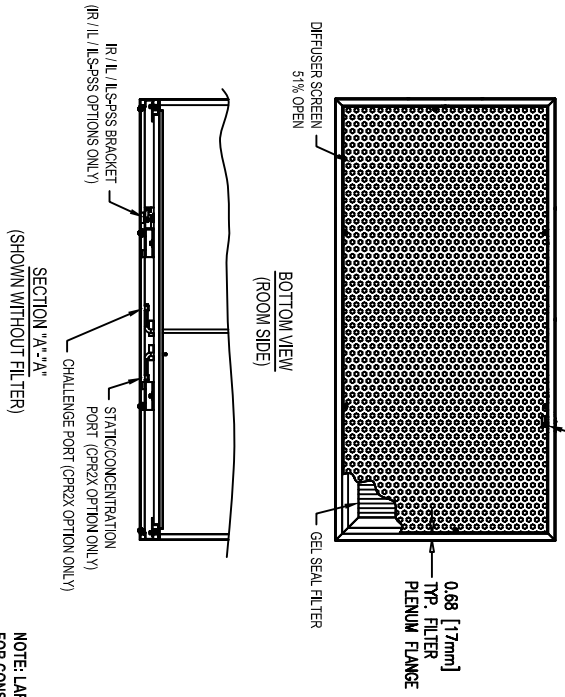
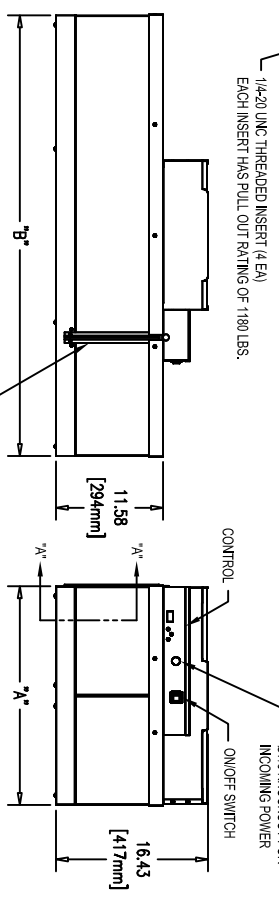
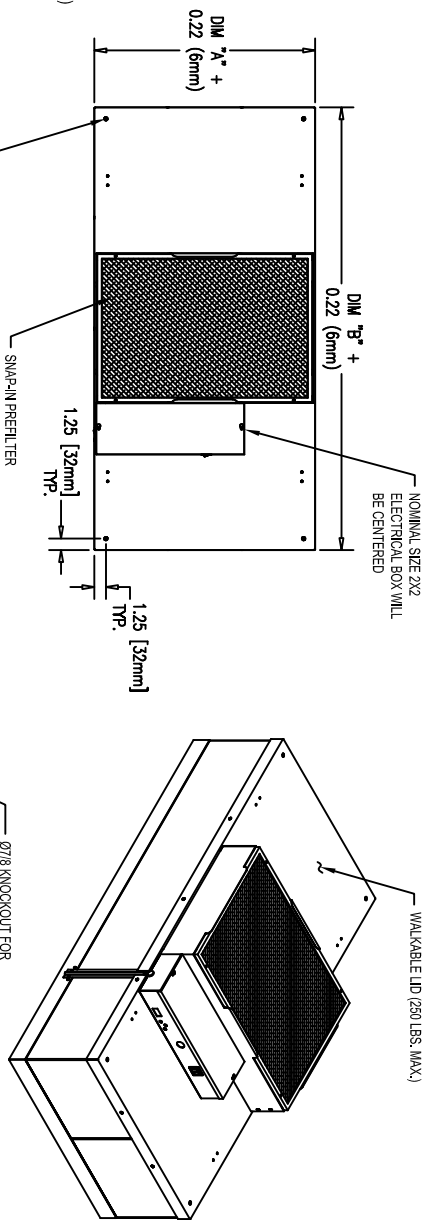
- ANODIZED ALUMINUM (STANDARD)
- POWER COAT PAINT (WHITE)
- 304 STAINLESS STEEL

**OPTIONS:**

- 10" (254 mm) ALUM. DUCT COLLAR (10691 SHIPPED LOOSE)
- 12" (305 mm) ALUM. DUCT COLLAR (10789 SHIPPED LOOSE)
- POWER CORD - 115V ONLY (SHIPPED LOOSE) (NOT ACCEPTABLE FOR PLENUM APPLICATIONS)
- IL - GREEN INDICATOR LIGHT (ON = MOTOR RUNNING; OFF = MOTOR FAILURE)
- IL-SPSS - RED FILTER LOAD INDICATOR LIGHT (ON = TIME TO CHANGE FILTER)
- CRP2X - (1) 1/8" FNPT ROOMSIDE CHALLENGE PORT AND (1) 1/8" FNPT STATIC CONCENTRATION PORT
- 0-10V OUTPUT SIGNAL WITH PRESSURE TRANSMITTER FOR CONTINUOUS FILTER MONITORING.
- 3/4" KNIFE EDGE FOR GELING GRID WITH GEL SEAL (ADD 3/4" TO OVERALL HEIGHT).

**CERTIFICATION:**

- UL 607 LISTED (E152885)
- CE CERTIFIED



FILTER SIZE (OD)	DIM 'A' In (mm)	DIM 'B' In (mm)	NOMINAL FILTER SIZE	APPROX. WEIGHT	APPROX. AIREFLOW (CFM)**
23.63 (600)	47.63 (1210)	47.63 (1210)	2X2	71 lbs (ALUM.)	MIN. = 70
23.50 (597)	47.50 (1207)	47.50 (1207)	2X4	32 Kgs (SST)	MAX. = 508
23.25 (591)	47.25 (1200)	47.25 (1200)	2X3.5	81 lbs (SST)	
23.13 (588)	47.13 (1197)	47.13 (1197)		37 Kgs (ALUM.)	
23.00 (584)	47.00 (1194)	47.00 (1194)		62 lbs (ALUM.)	MIN. = 60
23.03 (585)	46.63 (1185)	46.63 (1185)		28 Kgs (SST)	MAX. = 488
23.63 (600)	41.63 (1057)	41.63 (1057)		33 Kgs (ALUM.)	
23.50 (597)	41.50 (1054)	41.50 (1054)		24 Kgs (SST)	MIN. = 49
23.25 (591)	41.25 (1048)	41.25 (1048)		20 Kgs (SST)	MAX. = 485
23.13 (588)	35.13 (892)	35.13 (892)		29 Kgs (ALUM.)	
23.00 (584)	35.00 (889)	35.00 (889)		44 lbs (ALUM.)	MIN. = 49
23.03 (585)	34.84 (885)	34.84 (885)		20 Kgs (SST)	MAX. = 402
23.63 (600)	23.63 (600)	23.63 (600)		24 Kgs (SST)	
23.50 (597)	23.50 (597)	23.50 (597)			
23.25 (591)	23.25 (591)	23.25 (591)			
23.13 (588)	23.13 (588)	23.13 (588)			
23.00 (584)	23.00 (584)	23.00 (584)			
23.03 (585)	23.03 (585)	23.03 (585)			

\*\* CONTACT MFG. TO INSURE SIZE AVAILABILITY.  
 \*\*\* SETTINGS: MINIMUM PWM = 5% / MAXIMUM PWM = 100%

SIGNATURE \_\_\_\_\_

DATE \_\_\_\_\_

COMPANY \_\_\_\_\_

PROJECT \_\_\_\_\_

P.O. \_\_\_\_\_

101 Michael Rd.  
 Sanford, NC 27330  
 PHONE: 919-775-2201  
 PHONE: 1-800-884-0002  
 FAX: 1-800-456-2379  
 www.enviroco.com  
 email: enviroco@enviroco.com

**MAC10 IQ LAF**  
**RSR/RSRF**  
**(UNITS PROGRAMMED FOR LOW AIR FLOW)**

UNLESS SPECIFIED, ALL DIMENSIONS ARE IN INCHES. TOLERANCE: XX.43.03 XX.43.015 UNLESS NOTED

THIS DRAWING IS THE PROPERTY OF ENVIROCO, AND MAY NOT BE REPRODUCED OR PUBLISHED WITHOUT AUTHORIZATION FROM ENVIROCO.

DRAWING NO: **8000014**

DATE: 4-4-14

REV: ~

DESIGNER: ECN-52264

DRWN: AMO

BY: \_\_\_\_\_

