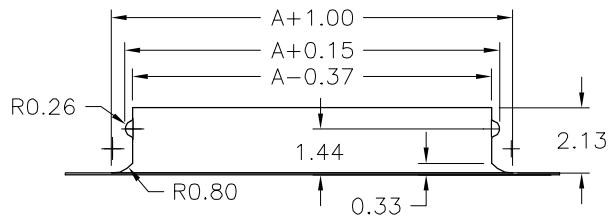
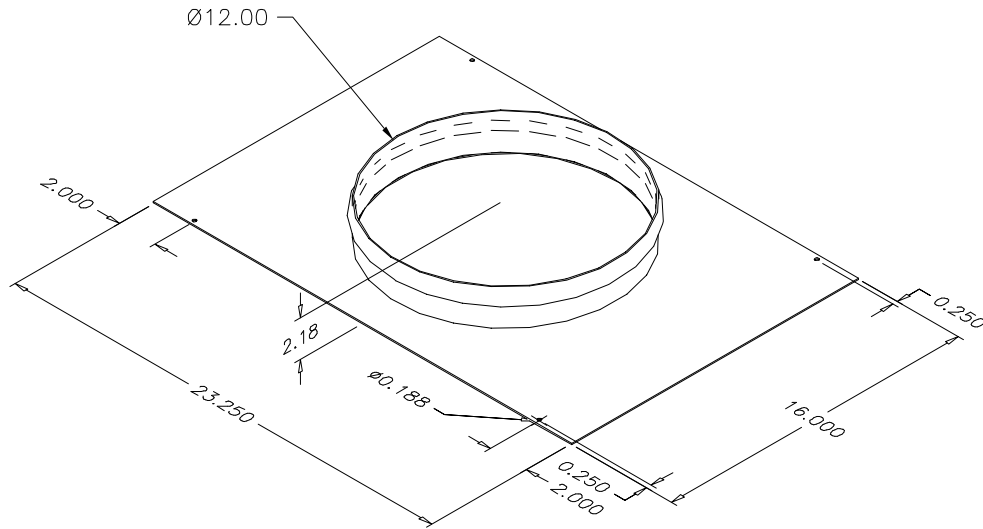


REV	ZONE	DESCRIPTION OF CHANGE	BY	DATE
A	-	PRODUCTION RELEASE	MAK	7/7/05



SIZE	HOLE A
23.25X16.00	Ø12.00

ITEM	QTY	DESCRIPTION	PART NO	DEPT
1	.182	0.05 ALUM SHEET	50186	STK
TOLERANCES		UNLESS OTHERWISE SPECIFIED		
.X	= ±0.1	ANGLE	= ±1/2°	
.XX	= ±0.03	FRACTION	= ±3/16	
.XXX	= ±0.015			
DO NOT SCALE DRAWING				
MATERIAL SPECIFICATION		DRAWN BY MAK		DRAWING NUMBER
50186		CHECKED BY		10787
0.050 ALUMINUM		APPROVED BY		REV. A
NEXT ASSEMBLY		SCALE	SHEET 1 OF 1	SIZE B



6701 JEFFERSON N.E.  
ALBUQUERQUE, NM 87109  
PHONE:(505) 345-3561  
FAX:(505) 345-8875

TITLE 12" DUCT COLLAR PLATE

THIS DRAWING IS A PROPERTY OF ENVIRCO CORPORATION AND MAY NOT BE USED, REPRODUCED, PUBLISHED, OR DISCLOSED TO OTHERS WITHOUT EXPRESS AUTHORIZATION BY ENVIRCO CORP.

NOTES: UNLESS OTHERWISE SPECIFIED