

HOUSING STYLE:

- RSR - FILTER ONLY ROOMSIDE REMOVABLE
- RSRF - FILTER, BAFFLE, AND MOTOR ROOMSIDE REMOVABLE

MOTOR: THREE SPEED FORWARD CURVE MOTOR/BLOWER

- 115V, 60 Hz, 1 PHASE, 3.0 FLA
- 208-240V, 50/60 Hz, 1 PHASE, 1.5 FLA
- 277V, 60 Hz, 1 PHASE, 1.2 FLA

FILTER:

- HEPA 99.99% @ 0.3 MICRON UL 900 (STANDARD)
- ULPA 99.99995% @ 0.12 MICRON (U15) UL 900
- PTFE
- OTHER _____

CONTROL:

- SOLID STATE SPEED CONTROL (SC)
- REMOTE MOUNTED SPEED CONTROL (SCS)
- NETWORK CONTROL CARD (EMC)

HOUSING FINISH:

- MIL FINISH ALUMINUM (STANDARD)
- POWER COAT PAINT (WHITE)
- 304 STAINLESS STEEL (ADD 3/8" TO OVERALL HEIGHT)

SCREEN FINISH:

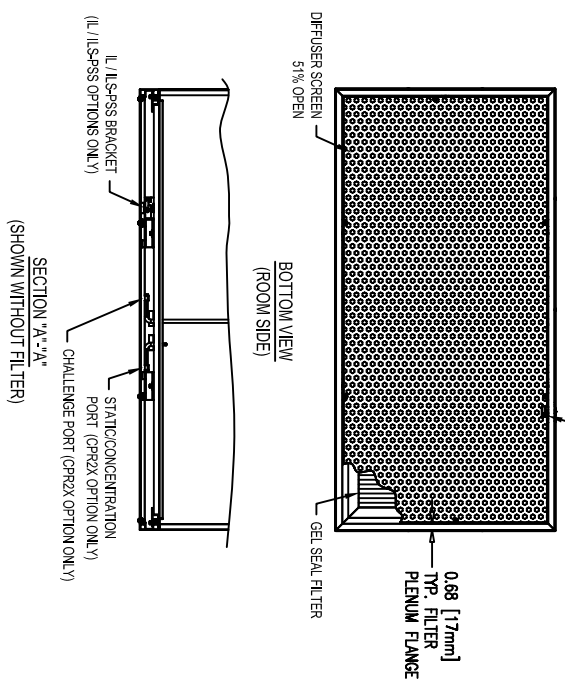
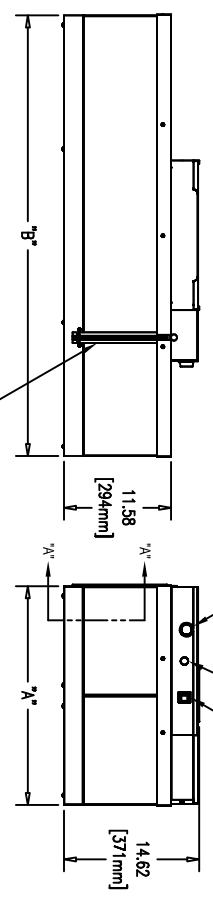
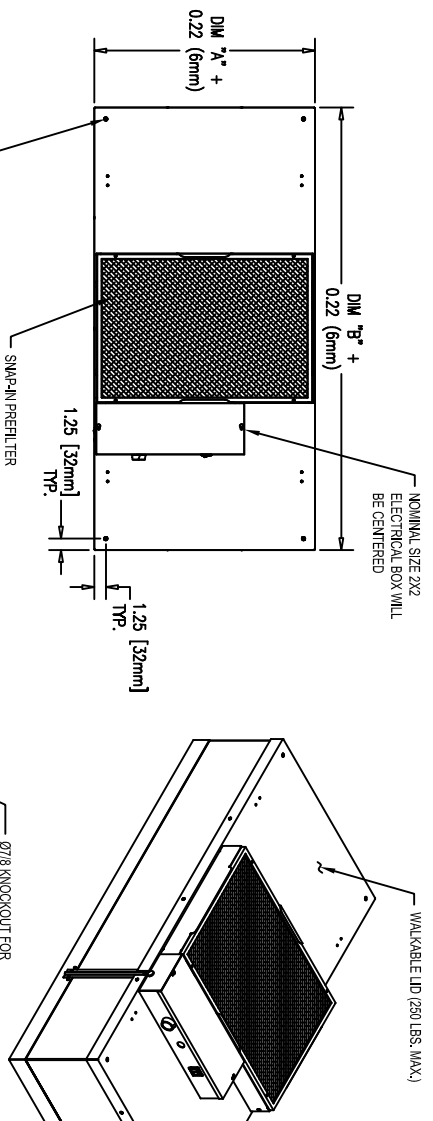
- ANODIZED ALUMINUM (STANDARD)
- POWER COAT PAINT (WHITE)
- 304 STAINLESS STEEL

OPTIONS:

- 10" (254 mm) ALUM. DUCT COLLAR (10691 SHIPPED LOOSE)
- 12" (305 mm) ALUM. DUCT COLLAR (10789 SHIPPED LOOSE)
- POWER CORD - 115V ONLY (SHIPPED LOOSE) (NOT ACCEPTABLE FOR PLENUM APPLICATIONS)
- IL - "GREEN" INDICATOR LIGHT (ON = MOTOR RUNNING; OFF = MOTOR FAILURE) (ON = TIME TO CHANGE FILTER)
- ILS-PSS - RED FILTER LOAD INDICATOR LIGHT (ON = TIME TO CHANGE FILTER)
- CPRX2 - (1) 1/8" FNPT ROOMSIDE CHALLENGE PORT AND (1) 1/8" FNPT STATIC CONCENTRATION PORT
- O-10V OUTPUT SIGNAL WITH PRESSURE TRANSMITTER FOR CONTINUOUS FILTER MONITORING.
- 3/4" KNIFE EDGE FOR CEILING GRID WITH GEL SEAL (ADD 3/4" TO OVERALL HEIGHT)

CERTIFICATION:

- UL 507 LISTED (E152865)
- CE CERTIFIED



FILTER SIZE (OD)		NOMINAL FILTER SIZE	APPROX. WEIGHT
DM 'A' In (mm)	DM 'B' In (mm)		
<input type="checkbox"/> 23.63 (600)	47.63 (1210)	2X4	(ALUM.) 71 lbs
<input type="checkbox"/> 23.50 (597)	47.50 (1207)		(SST) 32 Kgs
<input type="checkbox"/> 23.25 (591)	47.25 (1200)		(SST) 81 lbs
<input type="checkbox"/> 23.13 (588)	47.13 (1197)	2X3.5	(SST) 81 lbs
<input type="checkbox"/> 23.00 (584)	47.00 (1194)		(ALUM.) 37 Kgs
<input type="checkbox"/> 23.03 (585)	46.83 (1185)		(ALUM.) 62 lbs
<input type="checkbox"/> 23.63 (600)	41.63 (1057)	2X3	(ALUM.) 28 Kgs
<input type="checkbox"/> 23.50 (597)	41.50 (1054)		(SST) 72 lbs
<input type="checkbox"/> 23.25 (591)	41.25 (1048)		(SST) 33 Kgs
<input type="checkbox"/> 23.13 (588)	41.13 (1045)	2X2	(ALUM.) 54 lbs
<input type="checkbox"/> 23.00 (584)	41.00 (1041)		(SST) 24 Kgs
<input type="checkbox"/> 23.03 (585)	40.75 (1035)		(SST) 54 lbs
<input type="checkbox"/> 23.63 (600)	35.63 (905)	2X2	(ALUM.) 29 Kgs
<input type="checkbox"/> 23.50 (597)	35.50 (902)		(SST) 24 Kgs
<input type="checkbox"/> 23.25 (591)	35.25 (895)		(SST) 64 lbs
<input type="checkbox"/> 23.13 (588)	35.13 (892)	N/A	(SST) 29 Kgs
<input type="checkbox"/> 23.00 (584)	35.00 (889)		(ALUM.) 44 lbs
<input type="checkbox"/> 23.03 (585)	34.84 (885)		(SST) 20 Kgs
<input type="checkbox"/> 23.63 (600)	23.63 (600)	N/A	(ALUM.) 54 lbs
<input type="checkbox"/> 23.50 (597)	23.50 (597)		(SST) 24 Kgs
<input type="checkbox"/> 23.25 (591)	23.25 (591)		(SST) 54 lbs
<input type="checkbox"/> 23.13 (588)	23.13 (588)	N/A	(SST) 24 Kgs
<input type="checkbox"/> 23.00 (584)	23.00 (584)		(ALUM.) 44 lbs
<input type="checkbox"/> 23.03 (585)	23.03 (585)		(SST) 24 Kgs

** CONTACT MFG. TO INSURE SIZE AVAILABILITY.

SIGNATURE _____

DATE _____

COMPANY _____

PROJECT _____

P.O. _____



101 Mackail Rd.
Sartford, NC 27330
PHONE: 919-775-2201
PHONE: 1-800-884-0002
FAX: 1-800-456-2379
www.envirgo.com
email: envirgo@envirgo.com

**MAC10 ORIGINAL
RSR/RSRF**

UNLESS SPECIFIED, ALL DIMENSIONS ARE IN INCHES. TOLERANCE: XX.00 XX.X.015 ANGULAR ±1° UNLESS NOTED

THIS DRAWING IS THE PROPERTY OF ENVIRGO, AND MAY NOT BE REPRODUCED OR PUBLISHED WITHOUT AUTHORIZATION FROM ENVIRGO.

DRAWING NO: **8000001**

DATE: 7-17-12

DESIGNER: _____

REVISION: _____

DATE: _____

DESIGNER: _____

REVISION: _____

