

**HOUSING STYLE:**

RSRE - FILTER, BAFFLE, AND MOTOR ROOMSIDE REMOVABLE  
 MOTOR: ECM BACKWARD CURVED MOTOR/BLOWER

- 115V, 50/60 Hz, 1 PHASE, 5.80 FLA
- 208-240V, 50/60 Hz, 1 PHASE, 3.20 FLA
- 277V, 60 Hz, 1 PHASE, 3.20 FLA

**FILTER:**

- HEPA 99.99% @ 0.3 MICRON UL 900 (STANDARD)
- ULPA 99.9995% @ 0.12 MICRON (U15) UL 900
- PTFE
- OTHER \_\_\_\_\_

**CONTROL:**

- UNIVERSAL CONTROL CARD - DIP SWITCH SELECTABLE (CON4)
- MANUAL SPEED CONTROL (STD. FACTORY PRE-SET)
- 1-20 VOLT INPUT
- MODBUS RTU NETWORK

- ROOM SIDE INFARED SPEED CONTROL (IR)
- REMOTE MOUNTED VISUAL CONTROL UNIT (CSL)

**HOUSING FINISH:**

- MIL FINISH ALUMINUM (STANDARD)
- POWDER COAT PAINT (WHITE)
- 304 STAINLESS STEEL

**SCREEN FINISH:**

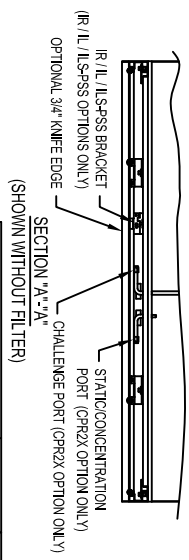
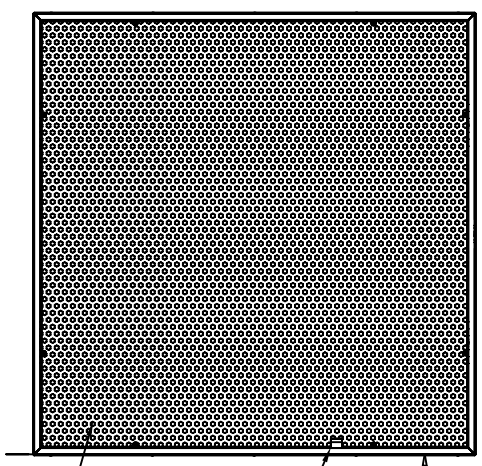
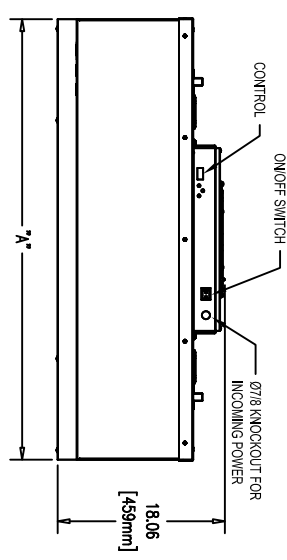
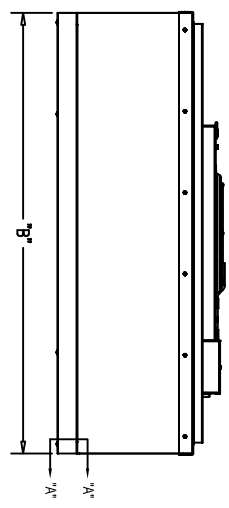
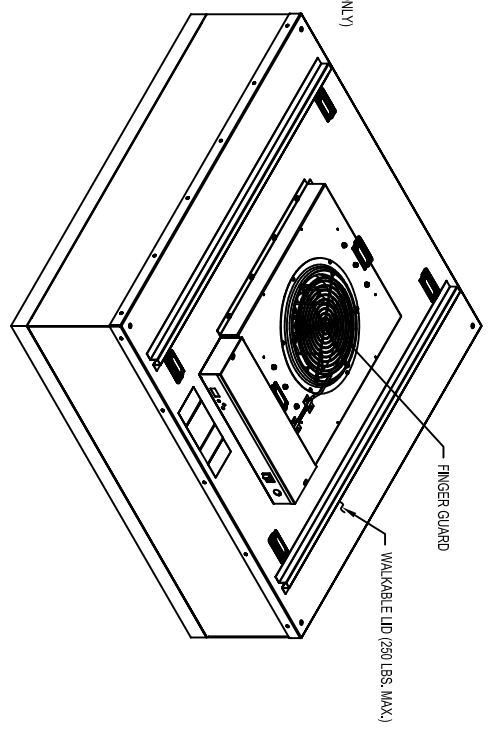
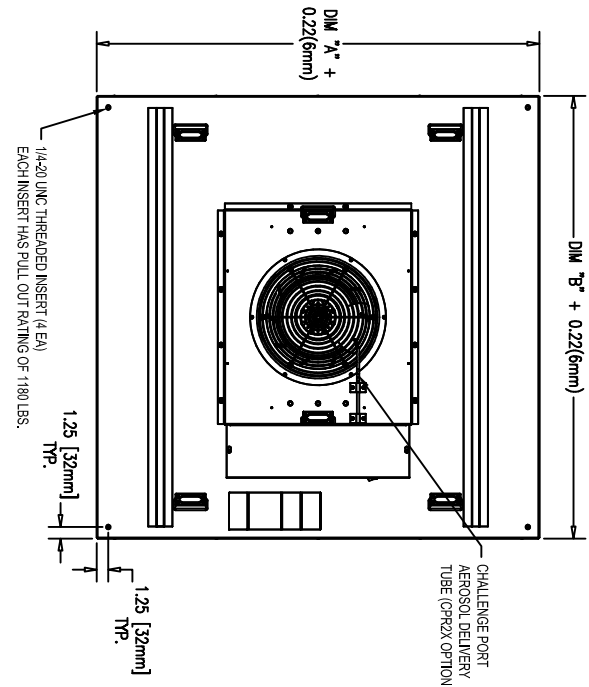
- ANODIZED ALUMINUM (STANDARD)
- POWDER COAT PAINT (WHITE)
- 304 STAINLESS STEEL

**OPTIONS:**

- IL - \*GREEN\* INDICATOR LIGHT  
(ON = MOTOR RUNNING, OFF = MOTOR FAILURE)
- ILS-PSS - \*RED\* FILTER LOAD INDICATOR LIGHT  
(ON = TIME TO CHANGE FILTER)
- CPRX2 - (1) 1/8" FNPT ROOMSIDE CHALLENGE PORT AND  
(1) 1/8" FNPT STATIC/CONCENTRATION PORT  
(ON = TIME TO CHANGE FILTER)
- O-10V OUTPUT SIGNAL WITH PRESSURE TRANSMITTER  
FOR CONTINUOUS FILTER MONITORING.
- 3/4" KNIFE EDGE FOR CEILING GRID WITH GEL SEAL  
(ADD 3/4" TO OVERALL HEIGHT)

**CERTIFICATION:**

- UL 507 LISTED (E152695)
- CE CERTIFIED



FILTER SIZE (OD)		NOMINAL PLENUM SIZE	APPROX. WEIGHT
DIM "A" in (mm)	DIM "B" in (mm)		
47.63 (1210)	47.63 (1210)	4X4	(ALUM.) 150 lbs (SST) 170 lbs
47.13 (1197)	47.13 (1197)		68 Kgs 77 Kgs
		**OTHER	N/A

\*\* CONTACT MFG. TO INSURE SIZE AVAILABILITY.

SIGNATURE \_\_\_\_\_

DATE \_\_\_\_\_

COMPANY \_\_\_\_\_

PROJECT \_\_\_\_\_

P.O. \_\_\_\_\_



101 MackNell Rd.  
 Sanford, NC 27330  
 PHONE: 919-775-2201  
 PHONE: 1-800-884-0002  
 FAX: 1-800-456-2379  
 www.envirgo.com  
 email: envirgo@envirgo.com

**MAC10 LEDC 4X4**  
**RSR/RSRE**

UNLESS SPECIFIED, ALL DIMENSIONS ARE IN INCHES. TOLERANCE: XX.03 .XXX.015 ANGULAR ±1° UNLESS NOTED

THIS DRAWING IS THE PROPERTY OF ENVIRGO, AND MAY NOT BE REPRODUCED OR PUBLISHED WITHOUT AUTHORIZATION FROM ENVIRGO.

COPYRIGHT 2010 ENVIRGO

DRAWING NO: **8000009**

DATE: 7-17-12

REV: A

DESIGNER: \_\_\_\_\_

DATE: 5-16-14

CONTRACT NO: \_\_\_\_\_

PROJECT: \_\_\_\_\_