

MOTOR: ECM BACKWARD CURVED MOTOR/BLOWER

- 115V, 50/60 Hz, 1 PHASE, 5.80 FLA
- 208-240V, 50/60 Hz, 1 PHASE, 3.70 FLA
- 277V, 60 Hz, 1 PHASE, 3.20 FLA

**FILTER:**

- HEPA 99.99% @ 0.3 MICRON UL 900 (STANDARD)
- ULPA 99.9995% @ 0.12 MICRON (U15) UL 900
- PTFE
- OTHER \_\_\_\_\_

**CONTROL:**

- UNIVERSAL CONTROL CARD - DIP SWITCH SELECTABLE (CON4)
- MANUAL SPEED CONTROL (STD. FACTORY PRE-SET)
- 0-10 VOLT INPUT
- MODBUS RTU NETWORK
- ROOM SIDE INFARED SPEED CONTROL (IR)
- REMOTE MOUNTED VISUAL CONTROL UNIT (GSL)

**HOUSING FINISH:**

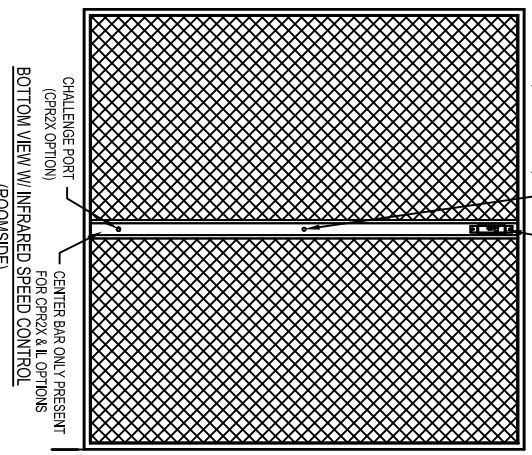
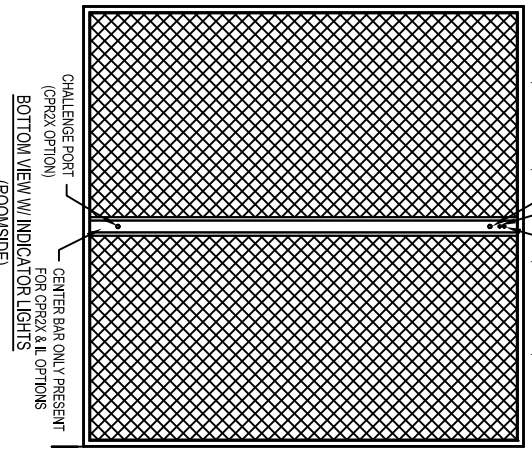
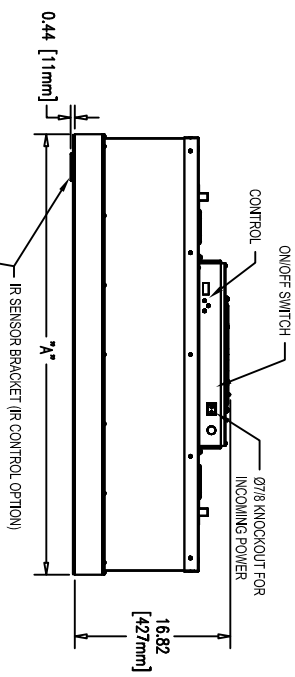
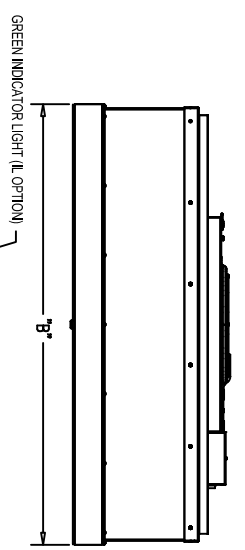
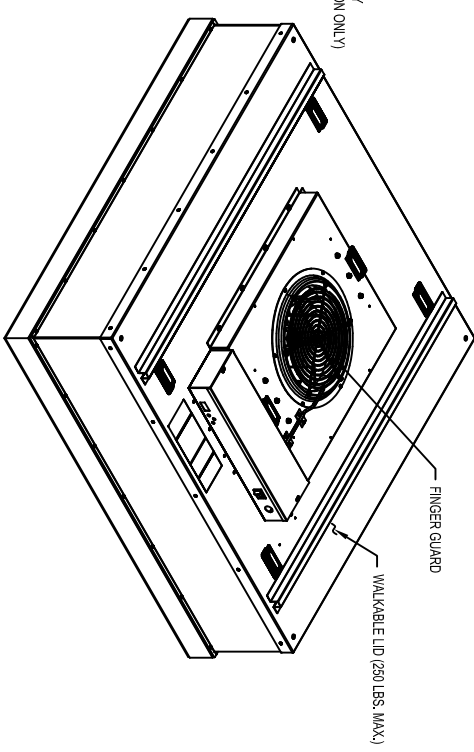
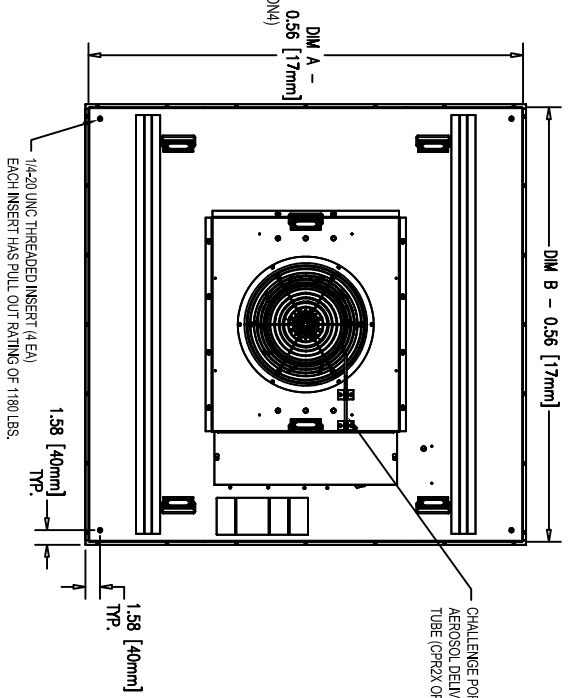
- MIL FINISH ALUMINUM (STANDARD)
- POWDER COAT PAINT (WHITE)
- 304 STAINLESS STEEL

**OPTIONS:**

- IL - "GREEN" INDICATOR LIGHT  
(ON = MOTOR RUNNING; OFF = MOTOR FAILURE)
- ILS+PSS - "RED" FILTER LOAD INDICATOR LIGHT  
(ON = TIME TO CHANGE FILTER)
- CPRX2 - (1) 1/8" FNPT ROOMSIDE CHALLENGE PORT AND  
(1) 1/8" FNPT STATIC/CONCENTRATION PORT
- 0-10V OUTPUT SIGNAL WITH PRESSURE TRANSMITTER  
FOR CONTINUOUS FILTER MONITORING.
- 3/4" KNIFE EDGE FOR CEILING GRID WITH GEL SEAL  
(ADD 3/4" TO OVERALL HEIGHT)

**CERTIFICATION:**

- UL 507 LISTED (E152685)
- CE CERTIFIED



FILTER SIZE (OD)	DIM "A"	DIM "B"	NOMINAL FILTER SIZE	APPROX. WEIGHT
	in (mm)	in (mm)		(ALUM.) (SST)
<input type="checkbox"/> 47.63 (1210)	47.63 (1210)	47.63 (1210)	4X4	150 lbs 68 kgs
<input type="checkbox"/> 47.13 (1197)	47.13 (1197)	47.13 (1197)		77 lbs 35 kgs
<input type="checkbox"/>			**OTHER	N/A

\*\* CONTACT MFG. TO INSURE SIZE AVAILABILITY.

SIGNATURE \_\_\_\_\_

DATE \_\_\_\_\_

COMPANY \_\_\_\_\_

PROJECT \_\_\_\_\_

P.O. \_\_\_\_\_



101 Mackall Rd.  
Sartford, NC 27330  
PHONE: 919-775-2201  
PHONE: 1-800-884-0002  
FAX: 1-800-456-2379  
www.envirgo.com  
email: envirgo@envirgo.com

**MAC10 LEDC 4x4  
STANDARD**

UNLESS SPECIFIED,  
ALL DIMENSIONS  
ARE IN INCHES.  
TOLERANCE  
XX4.03 XX4.015  
ANGULAR ±1°  
UNLESS NOTED

THIS DRAWING IS THE PROPERTY  
OF ENVIRGO, AND MAY NOT  
BE REPRODUCED OR PUBLISHED  
WITHOUT AUTHORIZATION FROM  
ENVIRGO.

DRAWING NO: **8000008**

DATE: 7-17-12

REV: A

DESIGNER: \_\_\_\_\_

BR: \_\_\_\_\_

REV DATE: 5-16-14

CON: 52248

